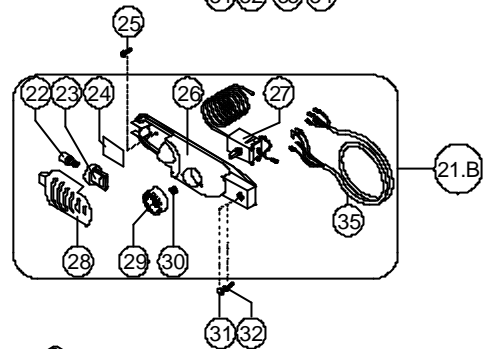
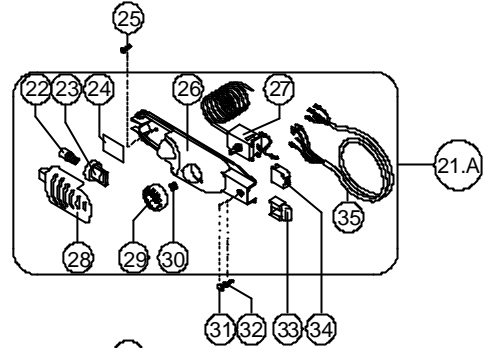
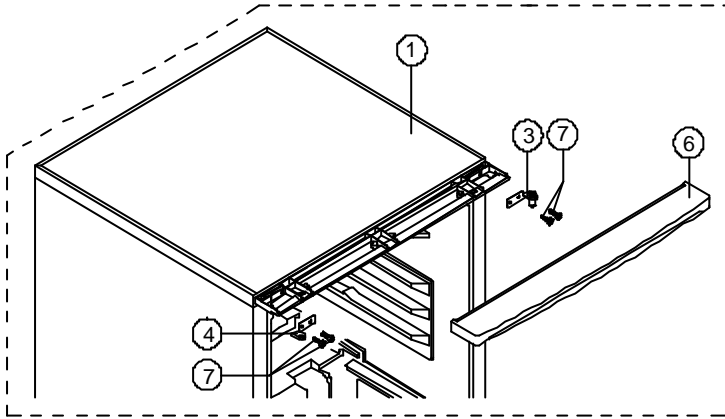
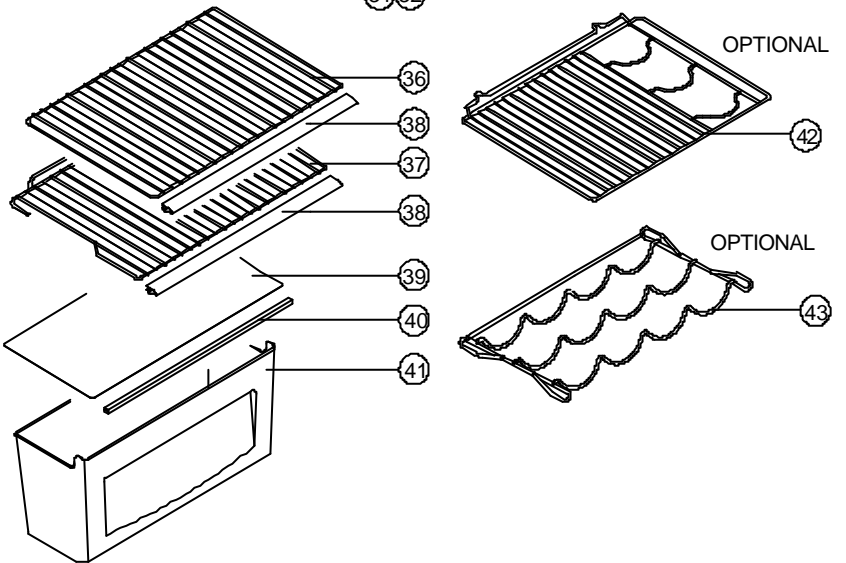
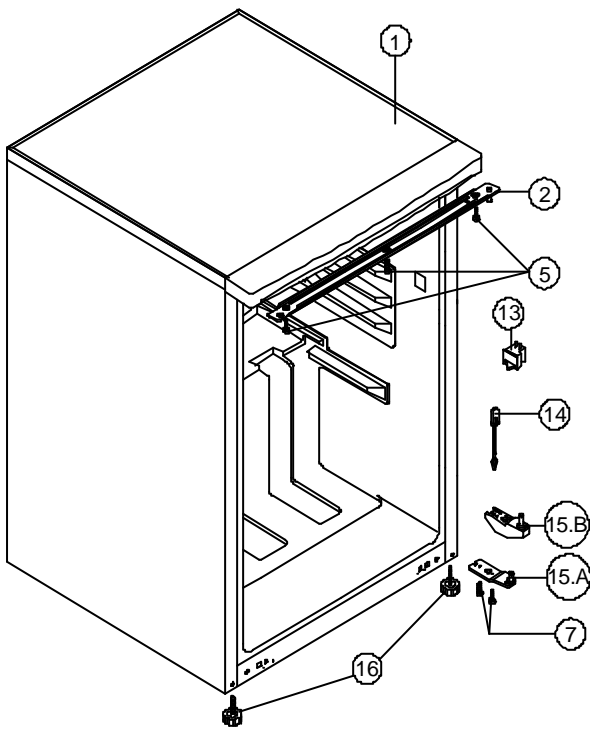


VESTEL WHITE GOODS	VESTEL REFRIGERATOR	CUSTOMER SUPPORT
	INTERIOR PARTS	

150 With Clipwood Top Table



150 With Plastic Top Table



Note :

*** Assy Urt Cab./150 With Clipwood Top Table (1) is used for products that are produced before 01.01.2003

*** Assy Urt Cab./150 With Plastic Top Table (1) is used for products that are produced after 01.01.2003

*** Bottom Hinge/140 (15.A) is used for products that are produced before 19.01.2004

*** Bottom Hinge/110 (15.B) is used for products that are produced after 19.01.2004

*** Two Stationary Foot (16) is used for Bottom Hinge/140 (15.A)

*** One Stationary Foot (16) is used for Bottom Hinge/110 (15.B)

*** Thermostat Box Assy/150 (21.A) is used for products that are produced before 06.11.2002

*** Thermostat Box Assy/150 (With Switch) (21.B) is used for products that are produced after 06.11.2002

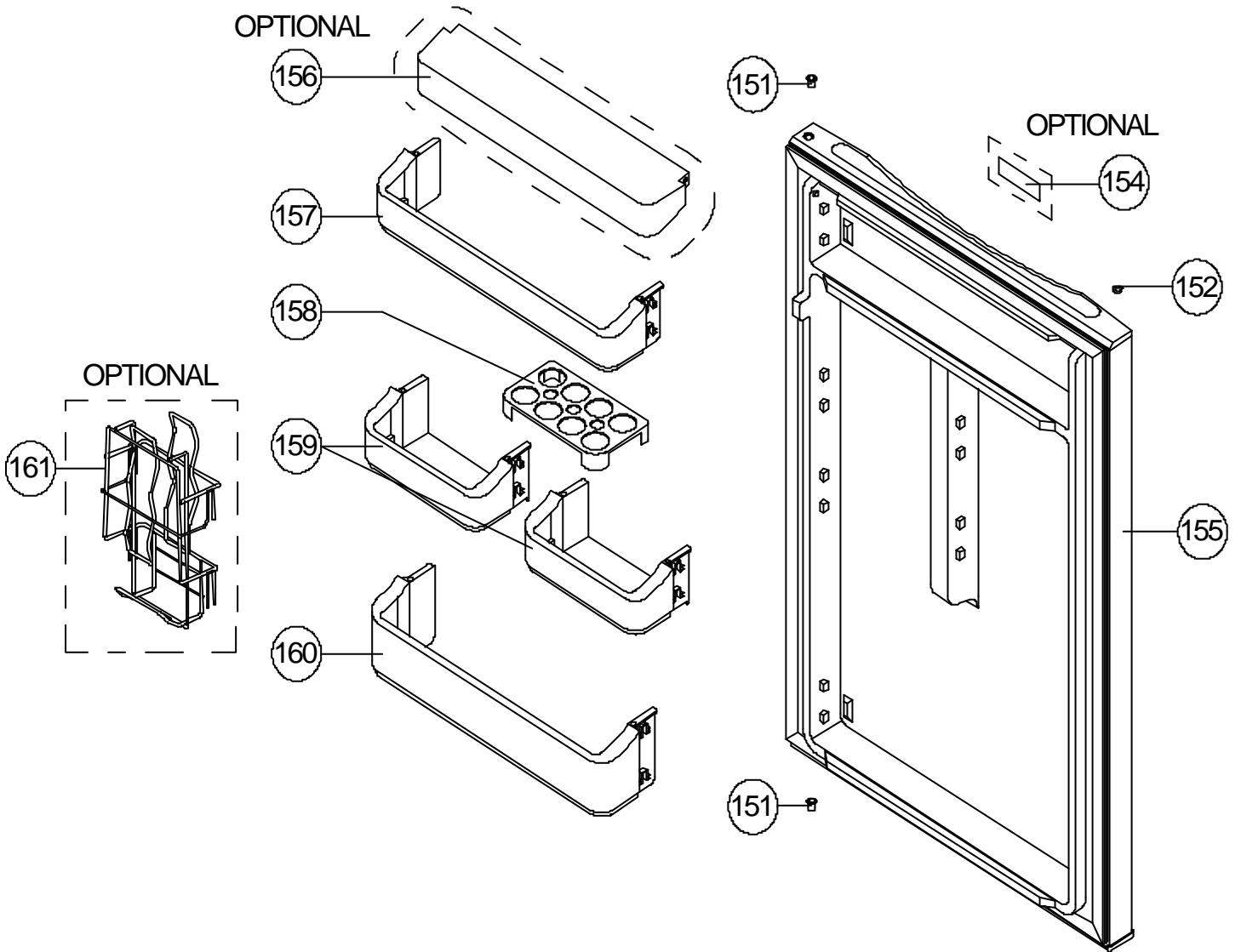
VESTEL WHITE GOODS	VESTEL REFRIGERATOR	CUSTOMER SUPPORT
	INTERIOR PARTS LIST	

POSITION NUMBER	PART NAME
1	ASSY URT CAB/150
1	ASSY URT CAB/150
2	TOP HINGE/140
3	TOP HINGE/140 (RIGHT)
4	TOP HINGE/140 (LEFT)
5	SCREW KA 40*8 WN 1412 EJOT
6	HEAD PANEL
7	SCREW M5*14 WN 1342-H EJOT
13	DOOR SWITCH <i>(USE ONLY WITH THERMOSTAT BOX ASSY 21.B)</i>
14	TUNNEL DRAIN PLUG
15	BOTTOM HINGE/140
15	BOTTOM HINGE/110
16	STATIONARY FOOT
21	THERMOSTAT BOX ASSY/150
21	THERMOSTAT BOX ASSY/150 (WITH SWITCH)
22	LAMP (E14/220-240V/15W)
23	LAMP HOLDER-E14
24	HEAT REFLECTOR FOIL/140
25	SCREW PLS KA 40*13(INOX-S.UÇ)SUS 430
26	THERMOSTAT BOX/140
27	THERMOSTAT (DNFS077B6715,RC K59L2151) 265
28	LAMP COVER/140
29	THERMOSTAT KNOB SRGF/260 (NUMBER)
30	THERMOSTAT KNO SPRING
31	THERMOSTAT BOX SCREW CAP/140
32	SCREW KA 40*18 WN 1411(INOX-SIV.UÇ)EJOT
33	SWITCH <i>(USE ONLY WITH THERMOSTAT BOX ASSY 21.A)</i>
34	SWITCH PUSH BUTTON <i>(USE ONLY WITH THERMOSTAT BOX ASSY 21.A)</i>
35	WIRING HARNESS/THERMOSTAT/150
36	R COMPARTMENT TOP SHELF/150 (W/O TRIM)
37	R COMPARTMENT SHELF/260
38	SHELF TRIM R/140
39	CRISPER COVER/140
40	CRISPER COVER TRIM/140
41	CRISPER/140
42	WINE SHELF/260 (ONE BOOTLE) <i>(OPTIONAL)</i>
43	WINE SHELF/260 (FOUR BOOTLE) <i>(OPTIONAL)</i>

ABBREVIATIONS :

ASSY : ASSEMBLY
URT : URETHANE
CAB : CABINET
R : REFRIGERATOR
W/O : WITHOUT

VESTEL WHITE GOODS	VESTEL REFRIGERATOR	CUSTOMER SUPPORT
	DOOR ASSY PARTS	



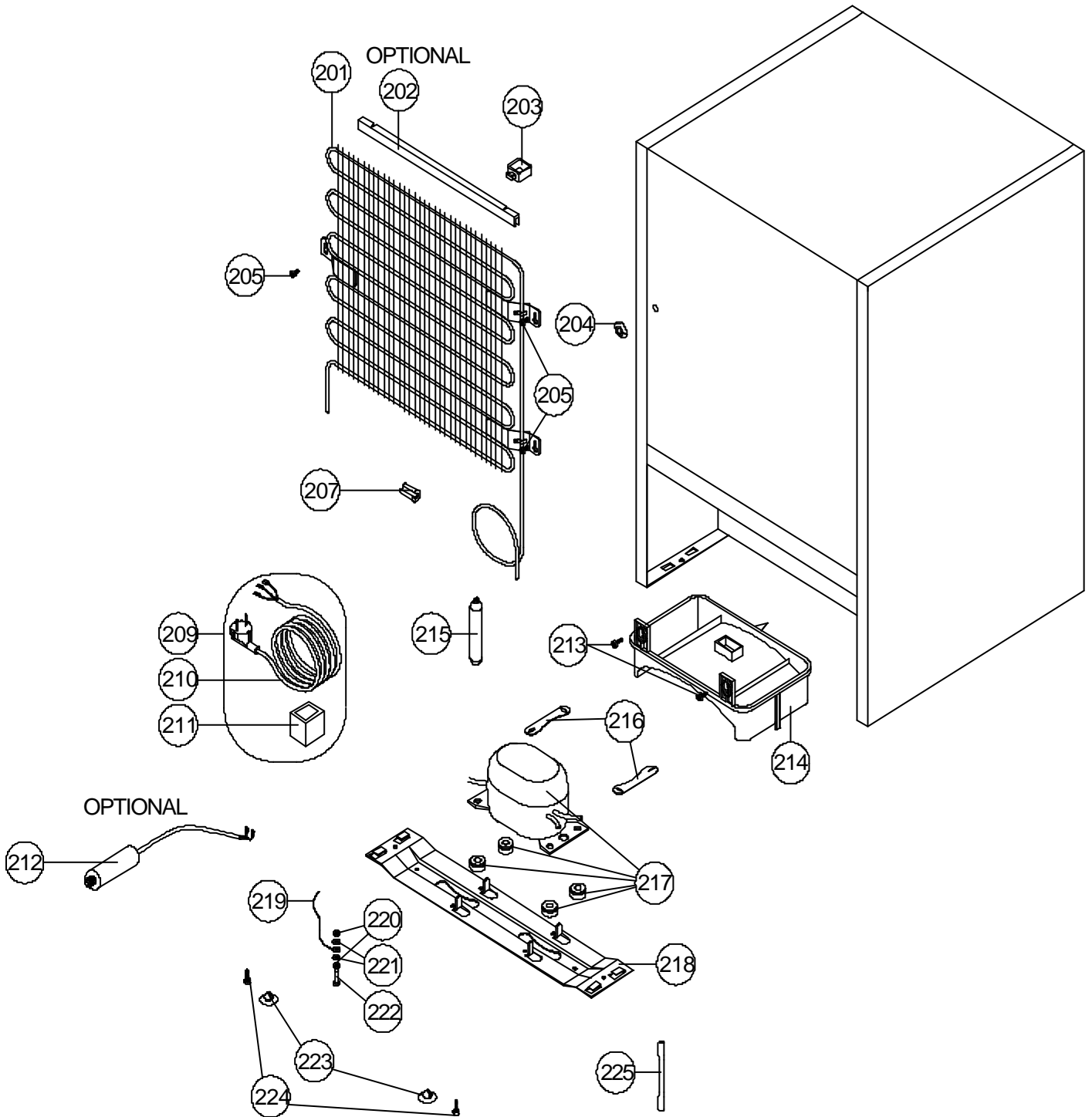
VESTEL WHITE GOODS	VESTEL REFRIGERATOR	CUSTOMER SUPPORT
	DOOR ASSY PARTS LIST	

POSITION NUMBER	PART NAME
151	BUSHING/345P
152	BUSHING CAP
154	LOGO (OPTIONAL)
155	DOOR ASSY/140V
156	SHELF COVER/140 (OPTIONAL)
157	BOTTLE SHELF/140
158	EGG SHELF/140
159	EGG HOLDER/140
160	BOTTLE SHELF/260
161	COLAMATIC/140 (OPTIONAL)

ABBREVIATIONS :

ASSY : ASSEMBLY

VESTEL WHITE GOODS	VESTEL REFRIGERATOR	CUSTOMER SUPPORT
	UNIT PARTS	



VESTEL WHITE GOODS	VESTEL REFRIGERATOR	CUSTOMER SUPPORT
	UNIT PARTS LIST	

POSITION NUMBER	PART NAME
201	MAIN CONDENSER/140
202	CONDENSER TRIM/140 (OPTIONAL)
203	SPACER
204	PLUG,CABLE HARNESS
205	SCREW 4.8*13 DIN7981 TYSB W.O. WASHER
207	ANTIVIBRATION (CONDENSER)
209	POWER CORD GROUP
210	POWER CORD
211	OVER LOAD RELAY
212	CAPACITOR (OPTIONAL)
213	SCREW 4.2*9.5 DIN 7981 YSB
214	EVAPORATING TRAY/260
215	DRYER (XH9,7.5GR)
216	COMP FIXING BRACKET
217	COMPRESSOR
218	COMP BASEMENT/140
219	GROUNDING WIRE
220	NUT M4*3.2 DIN 934 ZNK
221	WASHER 4.3*8*0.9 DIN 6798 ZNK
222	SCREW M4*16 DIN 933 ZNK
223	COMP BASEMENT FOOT/140
224	SCREW KA 50*14 WN 1412 EJOT
225	SERVICE TUBE (120*6*0,75)