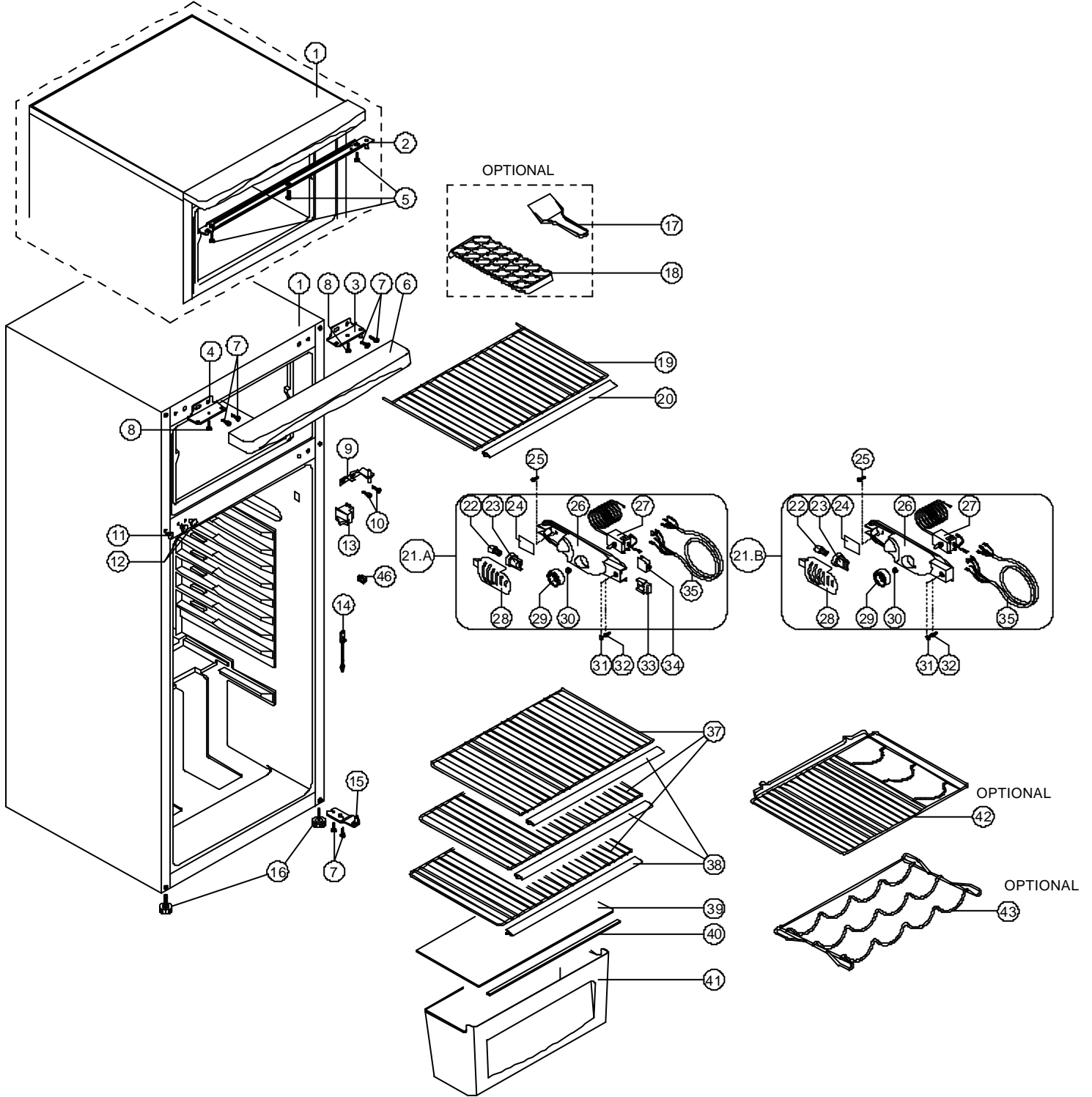


<b>VESTEL</b> WHITE GOODS	<b>VESTEL REFRIGERATOR</b>	<b>CUSTOMER</b> <b>SUPPORT</b>
	<b>INTERIOR PARTS</b>	

With Plastic Top Table



**Note :**

\*\*\* Thermostat Box Assy/260 (21.A) is used for products that are produced before 06.11.2002  
 \*\*\* Thermostat Box Assy/260 (With Switch) (21.B) is used for products that are produced after 06.11.2002

<b>VESTEL WHITE GOODS</b>	<b>VESTEL REFRIGERATOR</b>	<b>CUSTOMER SUPPORT</b>
	<b>INTERIOR PARTS LIST</b>	

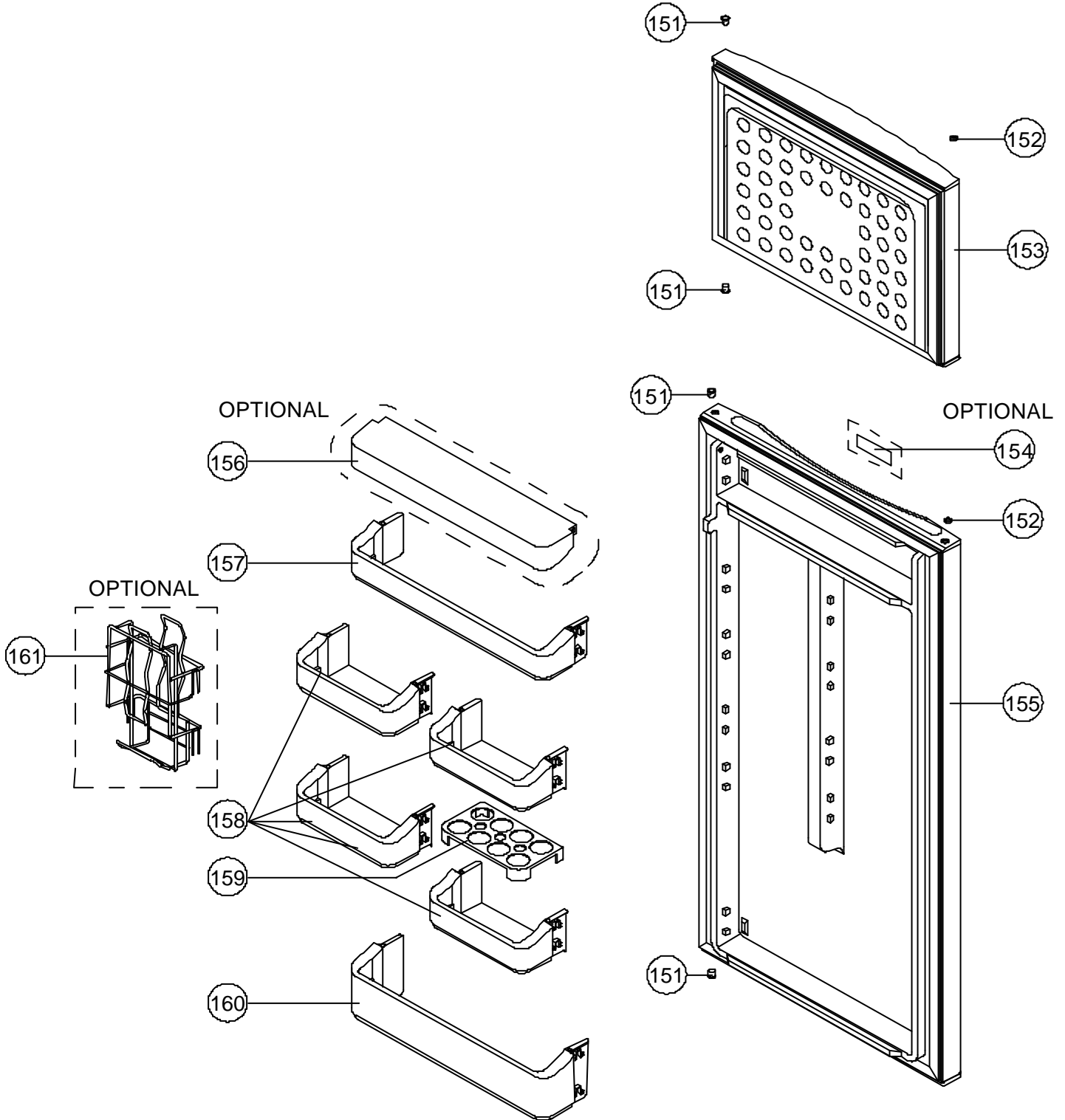
POSITION NUMBER	PART NAME
1	ASSY URT CAB/260 (WITH TOP TABLE)
1	ASSY URT CAB/260
2	TOP HINGE/140
3	TOP HINGE/260 (WITH PIN)
4	TOP HINGE/260 (WITHOUT PIN)
5	SCREW KA 40*8 WN 1412 EJOT
6	HEAD PANEL/260
7	SCREW M5*14 WN 1342-H EJOT
8	SCREW 4.2*13 DIN 7981 YHB DYED
9	MIDDLE HINGE PAINTED/260
10	SCREW M5*14 WN 1342-H EJOT DYED
11	MIDDLE HINGE SCREW CAP (SMALL)
12	MIDDLE HINGE SCREW CAP (BIG)
13	DOOR SWITCH (USE ONLY WITH THERMOSTAT BOX ASSY 21.B)
14	TUNNEL DRAIN PLUG
15	BOTTOM HINGE/140
16	STATIONARY FOOT
17	ICE SCRAPER (OPTIONAL)
18	ICE TRAY (OPTIONAL)
19	F COMPARTMENT SHELF/260 (W/O TRIM)
20	SHELF TRIM F/260-2
21	THERMOSTAT BOX ASSY/260
21	THERMOSTAT BOX ASSY/260 (WITH SWITCH)
22	LAMP (E14/220-240V/15W)
23	LAMP HOLDER-E14
24	HEAT REFLECTOR FOIL/140
25	SCREW PLS KA 40*13(INOX-S.UÇ)SUS 430
26	THERMOSTAT BOX/140 (SWITCH)
27	THERMOSTAT (DNFS077B6575.RC K59L2111)
28	LAMP COVER/140
29	THERMOSTAT KNOB SRGF/260 (NUMBER)
30	THERMOSTAT KNOB SPRING
31	THERMOSTAT BOX SCREW CAP/140
32	SCREW KA 40*18 WN 1411(INOX-SIV.UÇ)EJOT
33	SWITCH (USE ONLY WITH THERMOSTAT BOX ASSY 21.A)
34	SWITCH PUSH BUTTON (USE ONLY WITH THERMOSTAT BOX ASSY 21.A)
35	WIRING HARNESS/THERMOSTAT/260
46	HEATER SWITCH/260SN (USE FOR SN CLIMATE TYPE)
37	R COMPARTMENT SHELF/260
38	SHELF TRIM R/140
39	CRISPER COVER/140
40	CRISPER COVER TRIM/140
41	CRISPER/140
42	WINE SHELF/260 (ONE BOOTLE) (OPTIONAL)
43	WINE SHELF/260 (FOUR BOOTLE) (OPTIONAL)

**ABBREVIATIONS :**

ASSY : ASSEMBLY  
URT : URETHANE  
CAB : CABINET  
R : REFRIGERATOR  
F : FREEZER  
W/O : WITHOUT

<b>VESTEL</b> WHITE GOODS	<b>VESTEL REFRIGERATOR</b>	<b>CUSTOMER SUPPORT</b>
	<b>DOOR ASSY. PARTS</b>	

### DOOR WITH SHELF DESIGN



<b>VESTEL</b> WHITE GOODS	<b>VESTEL REFRIGERATOR</b>	<b>CUSTOMER SUPPORT</b>
	<b>DOOR ASSY. PARTS LIST</b>	

POSITION NUMBER	PART NAME
151	BUSHING/345P
152	BUSHING CAP
153	F DOOR ASSY/260V
154	LOGO (OPTIONAL)
155	R DOOR ASSY/260V
156	SHELF COVER/140 (OPTIONAL)
157	BOTTLE SHELF/140
158	EGG SHELF/140
159	EGG HOLDER/140
160	BOTTLE SHELF/260
161	COLAMATIC/140 (OPTIONAL)

**ABBREVIATIONS :**

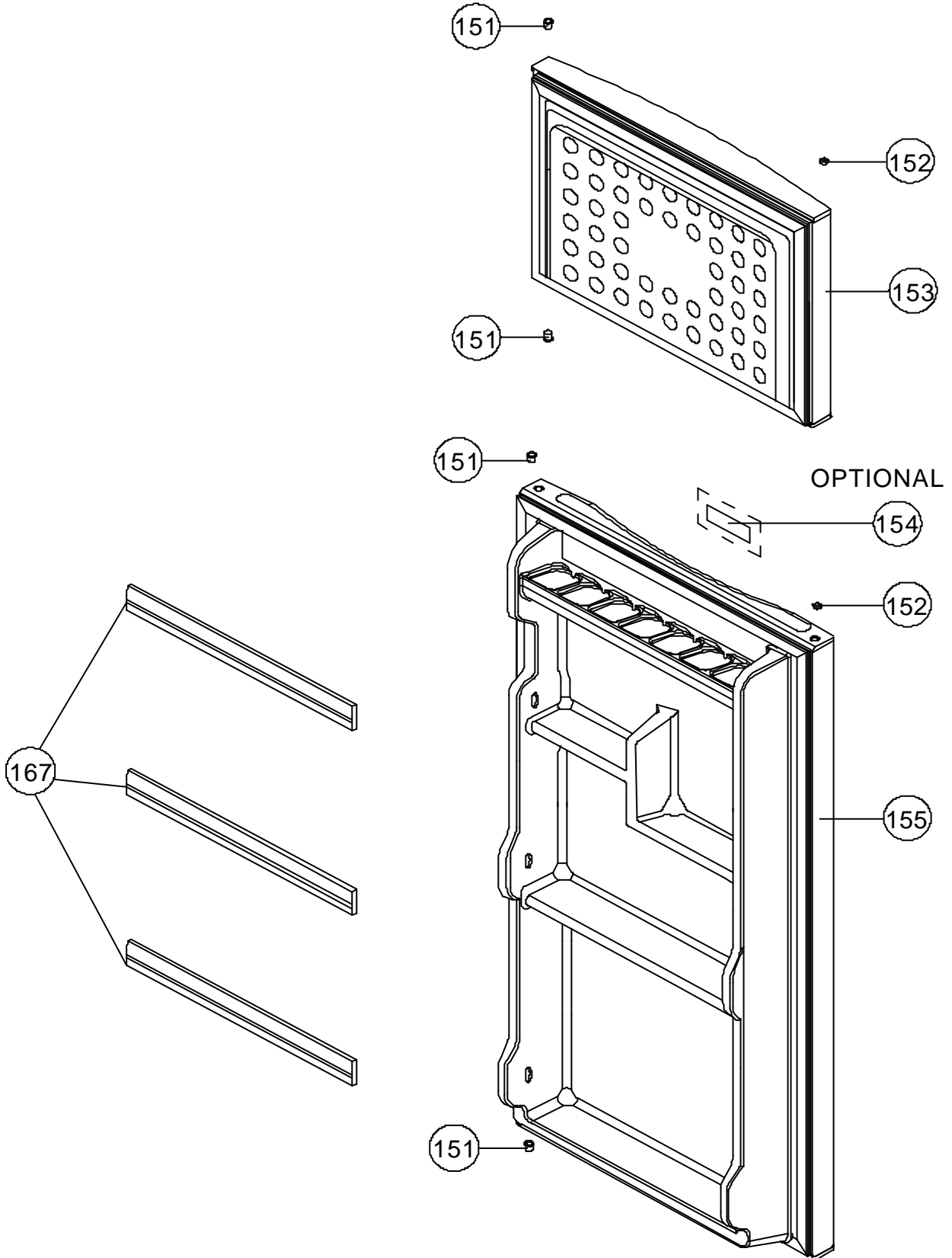
ASSY : ASSEMBLY

R : REFRIGERATOR

F : FREEZER

<b>VESTEL</b> WHITE GOODS	<b>VESTEL REFRIGERATOR</b>	<b>CUSTOMER SUPPORT</b>
	<b>DOOR ASSY. PARTS</b>	

**FIX DOOR DESIGN**



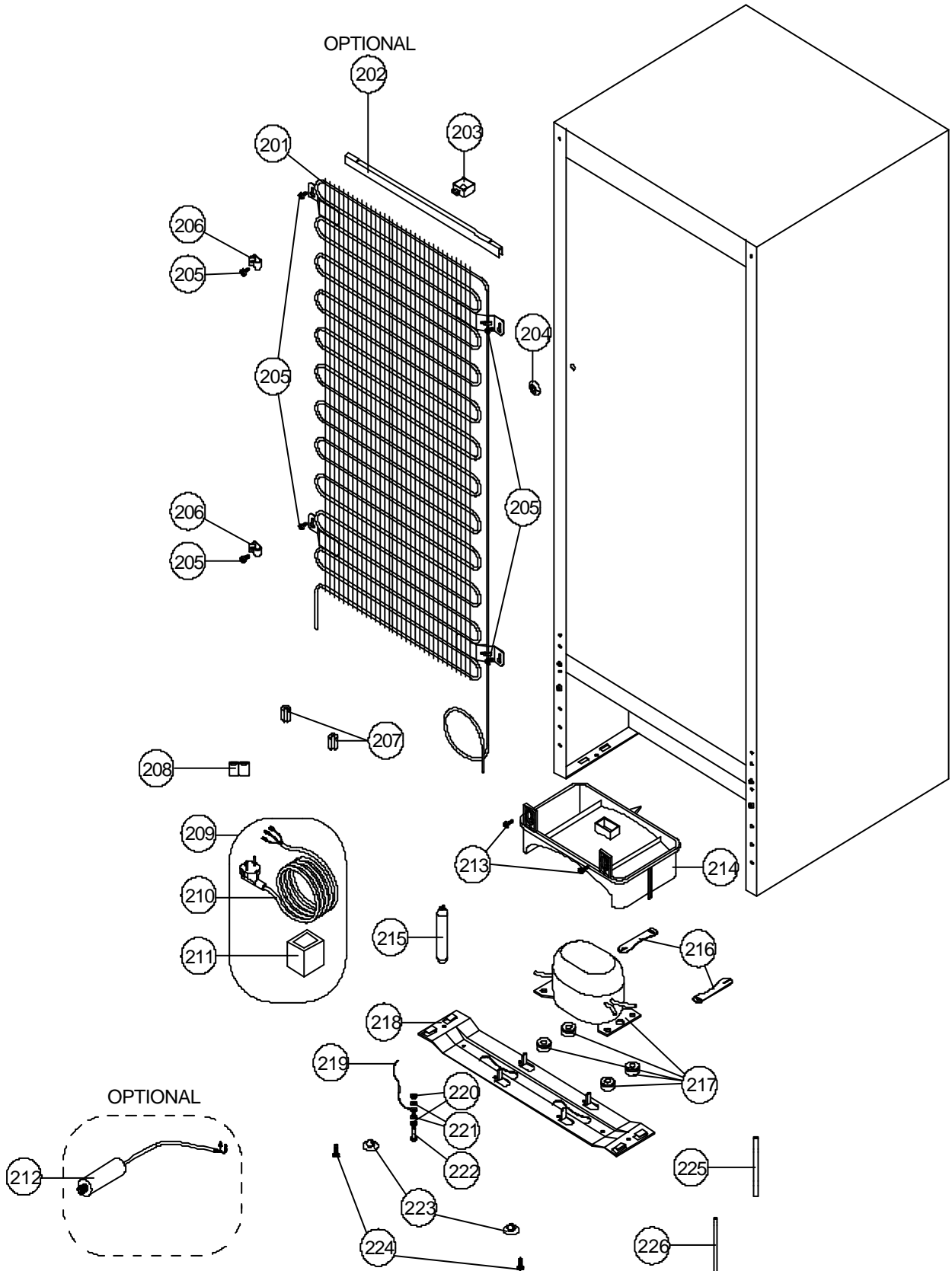
<b>VESTEL</b> WHITE GOODS	<b>VESTEL REFRIGERATOR</b>	<b>CUSTOMER SUPPORT</b>
	<b>DOOR ASSY. PARTS LIST</b>	

POSITION NUMBER	PART NAME
151	BUSHING/345P
152	BUSHING CAP
153	F DOOR ASSY/260V FIX
154	LOGO ( <i>OPTIONAL</i> )
155	R DOOR ASSY/260V FIX
167	DOOR LINER TRIM/260

**ABBREVIATIONS :**

ASSY : ASSEMBLY  
R : REFRIGERATOR  
F : FREEZER

<b>VESTEL</b> WHITE GOODS	<b>VESTEL REFRIGERATOR</b>	<b>CUSTOMER SUPPORT</b>
	<b>UNIT PARTS</b>	



<b>VESTEL</b> WHITE GOODS	<b>VESTEL REFRIGERATOR</b>	<b>CUSTOMER SUPPORT</b>
	<b>UNIT PARTS LIST</b>	

POSITION NUMBER	PART NAME
201	MAIN CONDENSER/260
202	CONDENSER TRIM/140 (OPTIONAL)
203	SPACER
204	PLUG,CABLE HARNESS
205	SCREW 4.8*13 DIN7981 TYSB W.O. WASHER
206	CABLE HOLDER / 140
207	ANTIVIBRATION (CONDENSER)
208	CONDENSER HOLDER (2)
209	POWER CORD GR
210	POWER CORD
211	OVER LOAD RELAY
212	CAPACITOR (OPTIONAL)
213	SCREW 4.2*9.5 DIN 7981 YSB
214	EVAPORATING TRAY/260
215	DRYER (XH9,7.5GR)
216	COMPR. FIXING BRACKET
217	COMPRESSOR
218	COMPR. BASEMENT/140
219	GROUNDING WIRE
220	NUT M4*3.2 DIN 934 ZNK
221	WASHER 4.3*8*0.9 DIN 6798 ZNK
222	SCREW M4*16 DIN 933 ZNK
223	COMPR. BASEMENT FOOT/140
224	SCREW KA 50*14 WN 1412 EJOT
225	SERVICE TUBE (120*6*0,75)
226	DRYER VACUUM TUBE