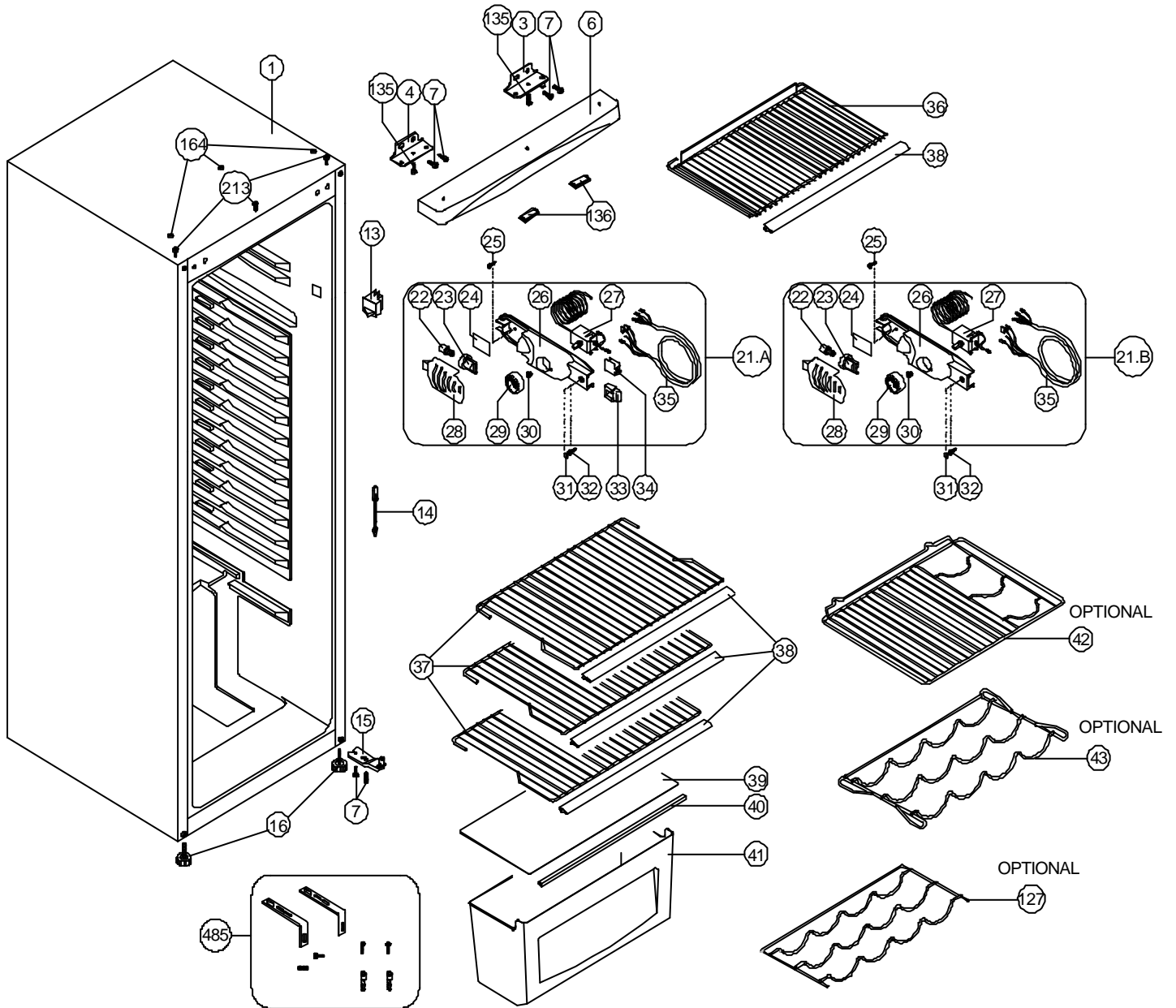


<b>VESTEL</b> WHITE GOODS	<b>VESTEL REFRIGERATOR</b>	<b>CUSTOMER</b> <b>SUPPORT</b>
	<b>INTERIOR PARTS</b>	



**Note :**

\*\*\* Thermostat Box Assy/265 (21.A) is used for products that are produced before 06.11.2002  
 \*\*\* Thermostat Box Assy/265 (Switch) (21.B) is used for products that are produced after 06.11.2002

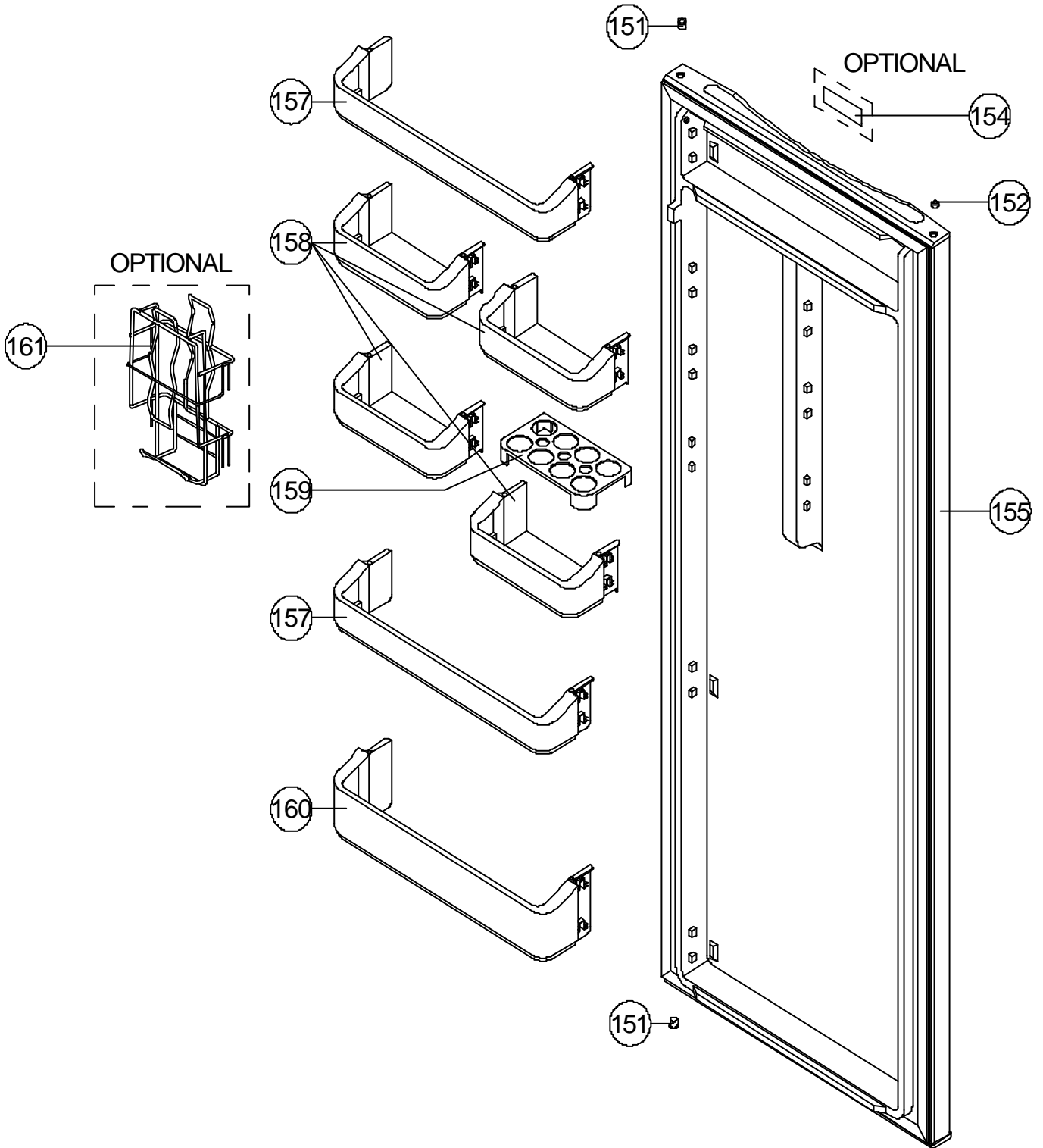
<b>VESTEL WHITE GOODS</b>	<b>VESTEL REFRIGERATOR</b>	<b>CUSTOMER SUPPORT</b>
	<b>INTERIOR PARTS LIST</b>	

POSITION NUMBER	PART NAME
1	ASSY URT CAB/265
3	TOP HINGE/260 (WITH PIN)
4	TOP HINGE/260 (WITHOUT PIN)
6	HEAD PANEL/265
7	SCREW M5*14 WN 1342-H EJOT
13	DOOR SWITCH <i>(USE ONLY WITH THERMOSTAT BOX ASSY 21.B)</i>
14	TUNNEL DRAIN PLUG
15	BOTTOM HINGE/140
16	STATIONARY FOOT
21	THERMOSTAT BOX ASSY/265
21	THERMOSTAT BOX ASSY/265 (SWITCH)
22	LAMP (E14/220-240V/15W)
23	LAMP HOLDER-E14
24	HEAT REFLECTOR FOIL/140
25	SCREW PLS KA 40*13(INOX-S.UÇ)SUS 430
26	THERMOSTAT BOX/140
27	THERMOSTAT (DNFS077B6715,RC K59L2151) 265
28	LAMP COVER/140
29	THERMOSTAT KNOB SRGF/260 (NUMBER)
30	THERMOSTAT KNOB SPRING
31	THERMOSTAT BOX SCREW CAP/140
32	SCREW KA 40*18 WN 1411(INOX-SIV.UÇ)EJOT
33	SWITCH <i>(USE ONLY WITH THERMOSTAT BOX ASSY 21.A)</i>
34	SWITCH PUSH BUTTON <i>(USE ONLY WITH THERMOSTAT BOX ASSY 21.A)</i>
35	WIRING HARNESS/THERMOSTAT/265
36	R COMPARTMENT TOP SHELF/150 (W/O TRIM)
37	R COMPARTMENT SHELF/260
38	SHELF TRIM R/140
39	CRISPER COVER/140
40	CRISPER COVER TRIM/140
41	CRISPER/140
42	WINE SHELF/260 (ONE BOTTLE) <i>(OPTIONAL)</i>
43	WINE SHELF/260 (FOUR BOTTLE) <i>(OPTIONAL)</i>
127	WINE SHELF/265 (FOUR BOTTLE) <i>(OPTIONAL)</i>
135	SCREW 4.2*13 DIN 7981 YHB
136	HEAD PANEL CAP/245
164	DOOR HANDLE SCREW CAP
213	SCREW 4.2*9.5 DIN 7981 YSB
485	REFRIGERATOR FIXING KIT

**ABBREVIATIONS :**

ASSY : ASSEMBLY  
URT : URETHANE  
F : FREEZER  
R : RIGHT  
L : LEFT  
W/O : WITHOUT

<b>VESTEL</b> WHITE GOODS	<b>VESTEL REFRIGERATOR</b>	<b>CUSTOMER SUPPORT</b>
	<b>DOOR ASSY. PARTS</b>	



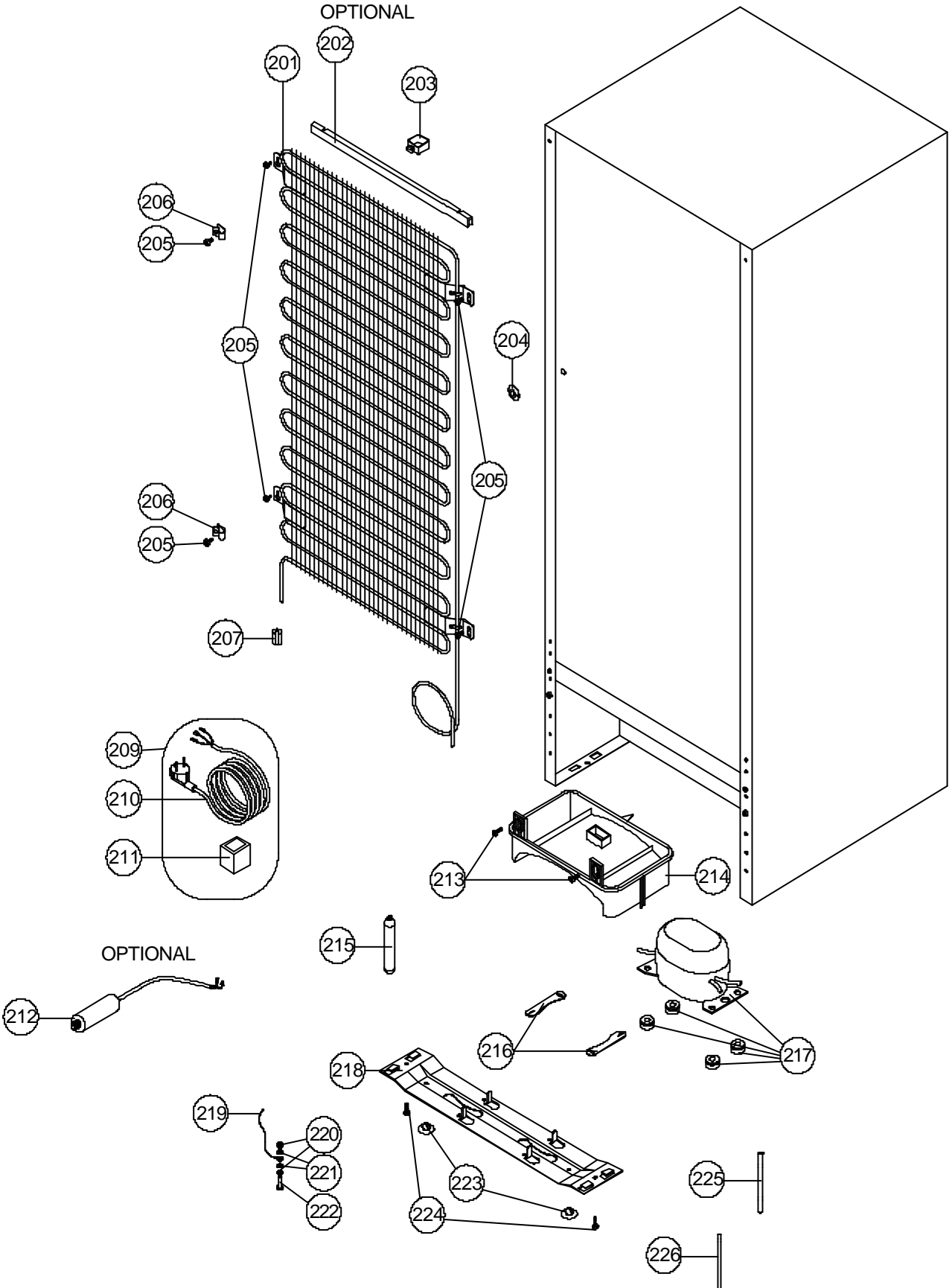
<b>VESTEL</b> WHITE GOODS	<b>VESTEL REFRIGERATOR</b>	<b>CUSTOMER SUPPORT</b>
	<b>DOOR ASSY. PARTS LIST</b>	

POSITION NUMBER	PART NAME
151	BUSHING/345P
152	BUSHING CAP
154	LOGO <i>(OPTIONAL)</i>
155	DOOR ASSY/265V
157	BOTTLE SHELF/140
158	EGG SHELF/140
159	EGG HOLDER/140
160	BOTTLE SHELF/260
161	COLAMATIC/140 <i>(OPTIONAL)</i>

**ABBREVIATIONS :**

ASSY : ASSEMBLY

<b>VESTEL</b> WHITE GOODS	<b>VESTEL REFRIGERATOR</b>	<b>CUSTOMER</b> <b>SUPPORT</b>
	<b>UNIT PARTS</b>	



<b>VESTEL WHITE GOODS</b>	<b>VESTEL REFRIGERATOR</b>	<b>CUSTOMER SUPPORT</b>
	<b>UNIT PARTS LIST</b>	

POSITION NUMBER	PART NAME
201	MAIN CONDENSER/265
202	CONDENSER TRIM/140 (OPTIONAL)
203	SPACER
204	PLUG,CABLE HARNESS
205	SCREW 4.8*13 DIN7981 TYSB W.O. WASHER
206	CABLE HOLDER PLS/140
207	ANTIVIBRATION (CONDENSER)
209	POWER CORD GR
210	POWER CORD
211	OVER LOAD RELAY
212	CAPACITOR (OPTIONAL)
213	SCREW 4.2*9.5 DIN 7981 YSB
214	EVAPORATING TRAY/260
215	DRYER (XH9,7.5GR)
216	COMP FIXING BRACKET
217	COMPRESSOR
218	COMP BASEMENT/140
219	GROUNDING WIRE
220	NUT M4*3.2 DIN 934 ZNK
221	WASHER 4.3*8*0.9 DIN 6798 ZNK
222	SCREW M4*16 DIN 933 ZNK
223	COMP BASEMENT FOOT/140
224	SCREW KA 50*14 WN 1412 EJOT
225	SERVICE TUBE (120*6*0,75)
226	DRYER VACUUM TUBE