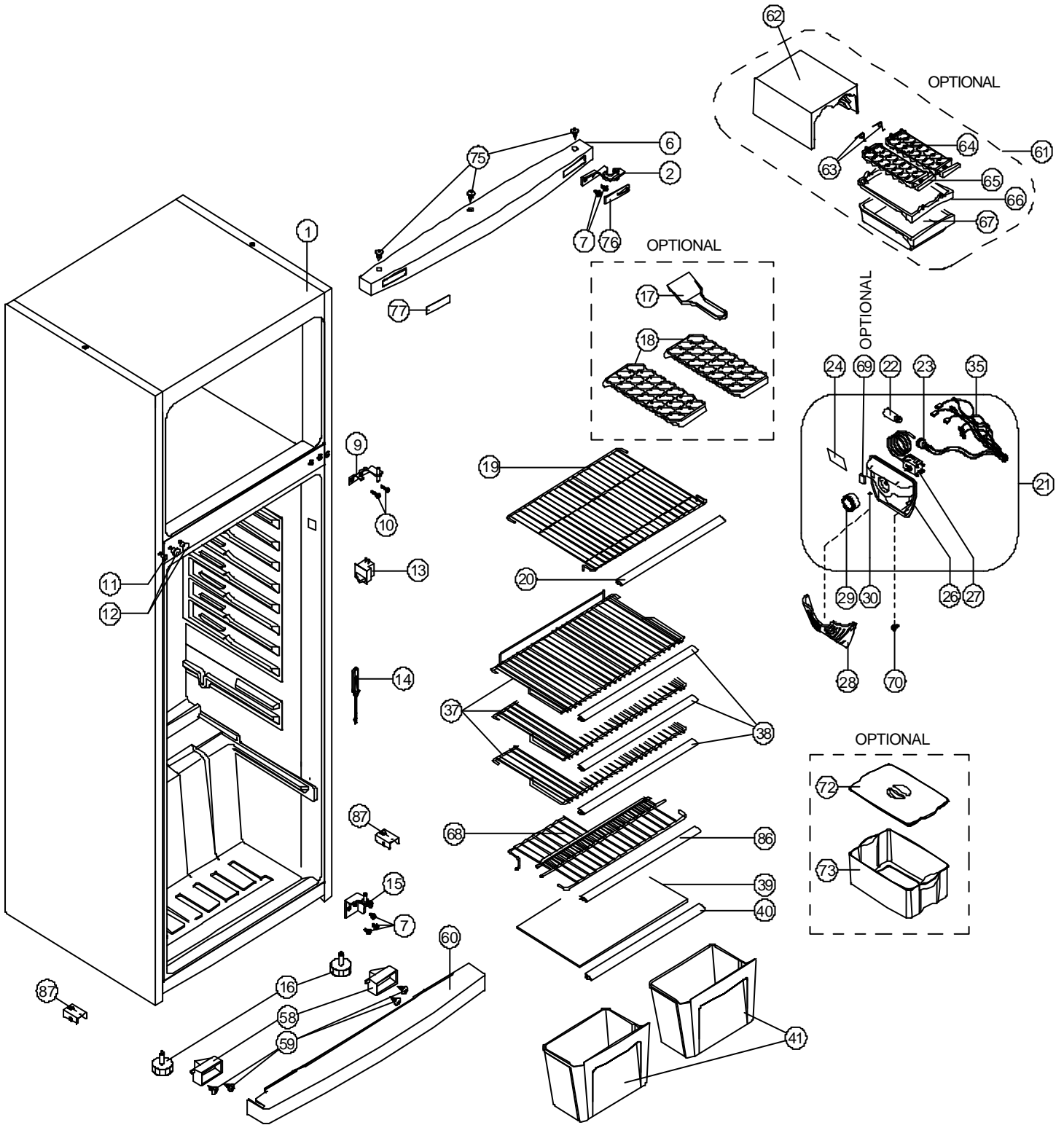


VESTEL WHITE GOODS	VESTEL REFRIGERATOR	CUSTOMER SUPPORT
	INTERIOR PARTS	



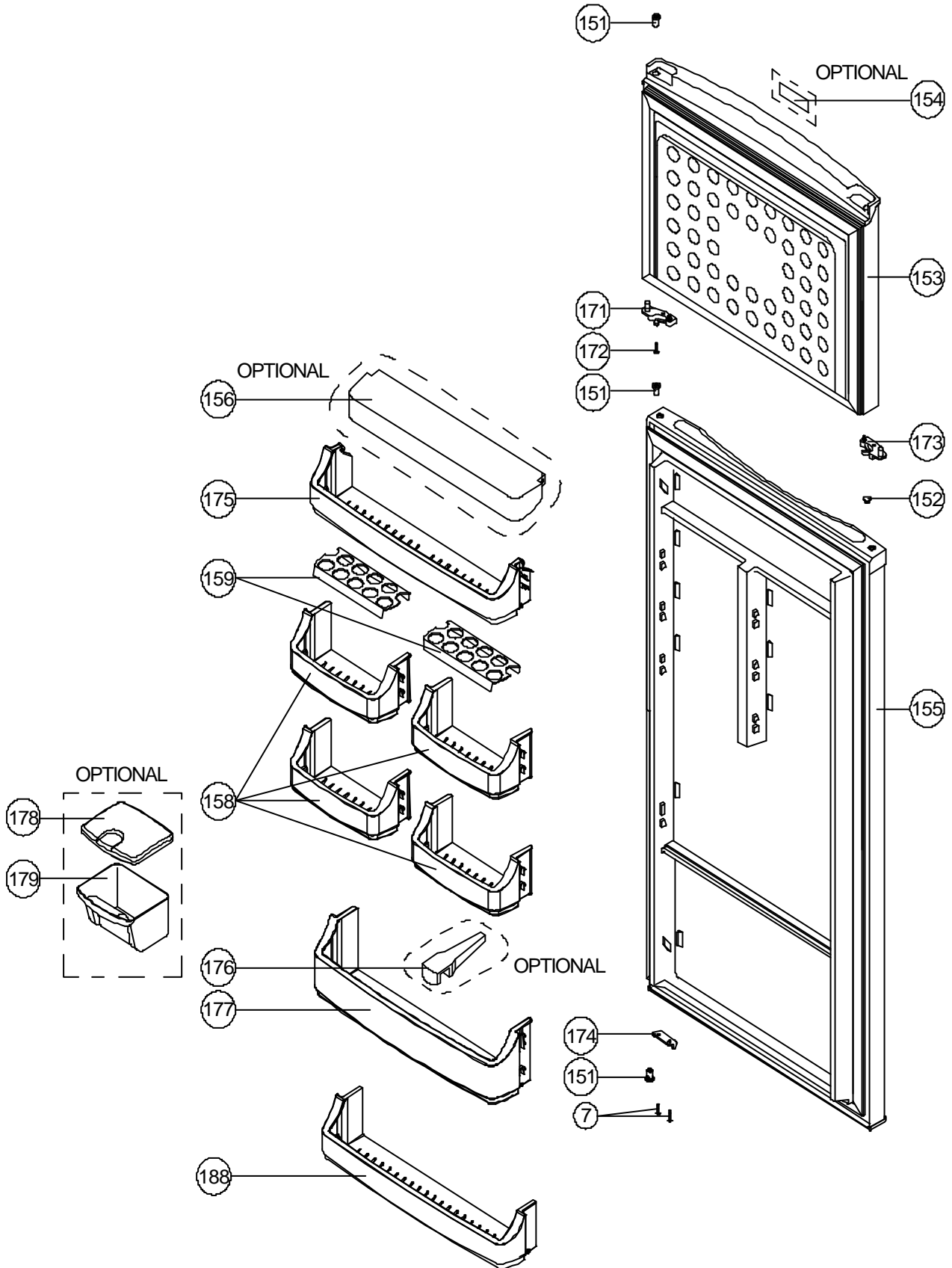
VESTEL WHITE GOODS	VESTEL REFRIGERATOR	CUSTOMER SUPPORT
	INTERIOR PARTS LIST	

POSITION NUMBER	PART NAME
1	ASSY URT CAB/455
2	TOP HINGE PAINTED/345
6	HEAD PANEL/455
7	SCREW M5*14 WN 1342-H EJOT
9	MIDDLE HINGE PAINTED/345
10	SCREW M5*14 WN 1342-H EJOT DYED
11	MIDDLE HINGE SCREW CAP (SMALL)
12	MIDDLE HINGE SCREW CAP (BIG)
13	DOOR SWITCH
14	TUNNEL DRAIN PLUG
15	BOTTOM HINGE/345
16	STATIONARY FOOT
17	ICE SCRAPER (OPTIONAL)
18	ICE TRAY (OPTIONAL)
19	F COMPARTMENT SHELF/455
20	SHELF TRIM F/455
21	THERMOSTAT BOX GR/455
22	LAMP (E14/220-240V/15W)
23	LAMP HOLDER-E14
24	HEAT REFLECTOR FOIL
26	THERMOSTAT BOX/455
27	THERMOSTAT (DNFS077B6575,R2070-K59-1)
28	LAMP COVER/455
29	THERMOSTAT KNOB SRGF/455
30	THERMOSTAT KNOB SPRING
35	WIRING HARNESS/THERMOSTAT/455
37	R COMPARTMENT SHELF/455
38	SHELF TRIM R/455
39	CRISPER COVER/455
40	CRISPER COVER TRIM/455
41	CRISPER/455
58	KICK PLATE HOLDER
59	SCREW 3.5*13 DIN 7981 YSB
60	KICK PLATE/455
61	ICEMATIC GR/455 (OPTIONAL)
62	ICE TRAY COVER (OPTIONAL)
63	ICE TRAY SPRING (OPTIONAL)
64	ICE TRAY/RIGHT (OPTIONAL)
65	ICE TRAY/LEFT (OPTIONAL)
66	ICE TRAY HOLDER (OPTIONAL)
67	ICE BOX (OPTIONAL)
68	MAGIC SHELF/455
69	THERMOSTAT BOX SWITCH (OPTIONAL)
70	SCREW KA 40*14 WN 1411(INOX)EJOT
72	MEAT TRAY COVER (OPTIONAL)
73	MEAT TRAY (OPTIONAL)
75	SCREW 4.2*9.5 DIN 7981 YSB DYED
76	HEAD PANEL CAP (RIGHT)
77	HEAD PANEL CAP (LEFT)
86	MAGIC SHELF TRIM/455
87	FRONT WHEEL GR

ABBREVIATIONS :

ASSY : ASSEMBLY
URT : URETHANE
CAB : CABINET
R : REFRIGERATOR
F : FREEZER

VESTEL WHITE GOODS	VESTEL REFRIGERATOR	CUSTOMER SUPPORT
	DOOR ASSY. PARTS	



VESTEL WHITE GOODS	VESTEL REFRIGERATOR	CUSTOMER SUPPORT
	DOOR ASSY. PARTS LIST	

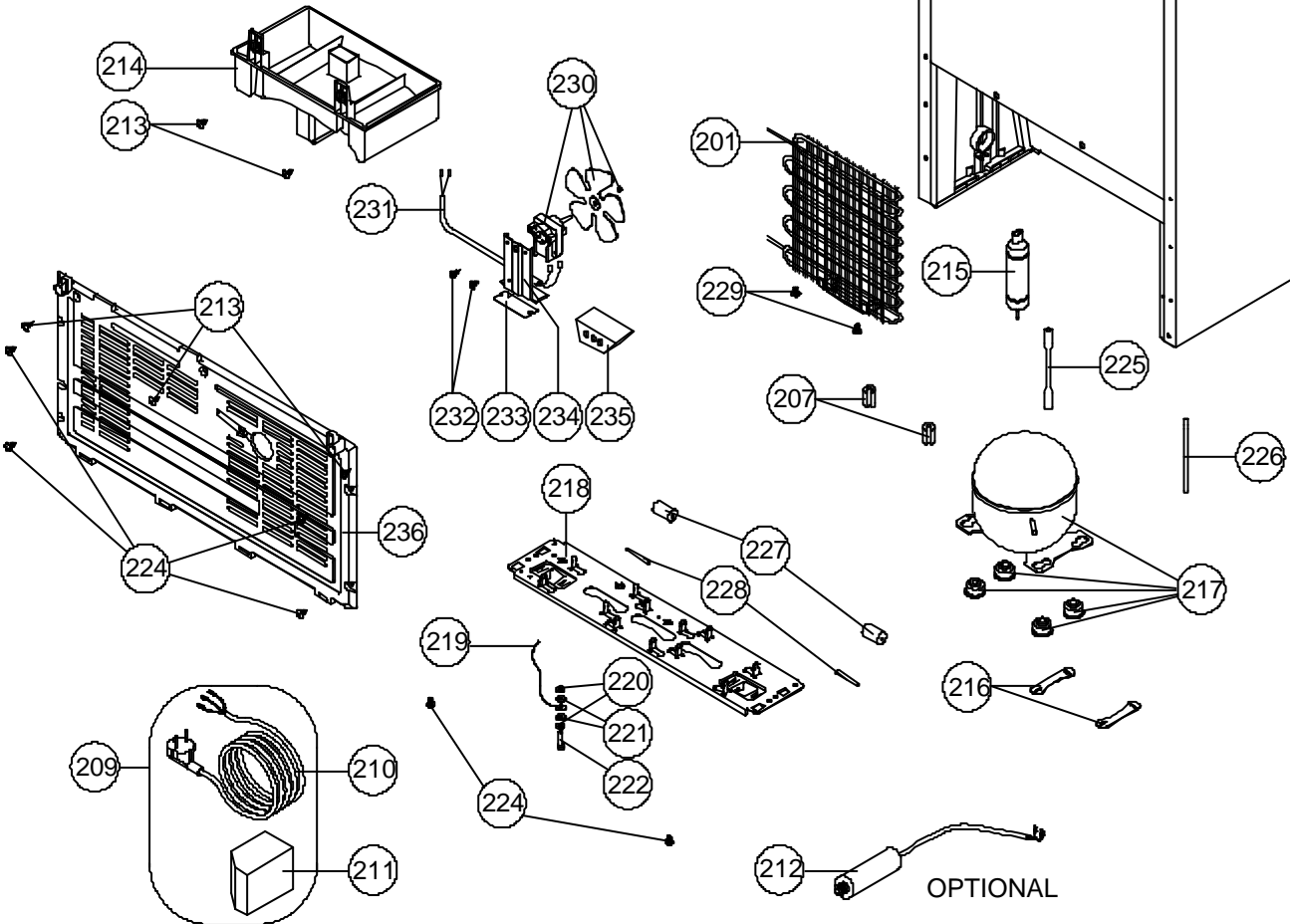
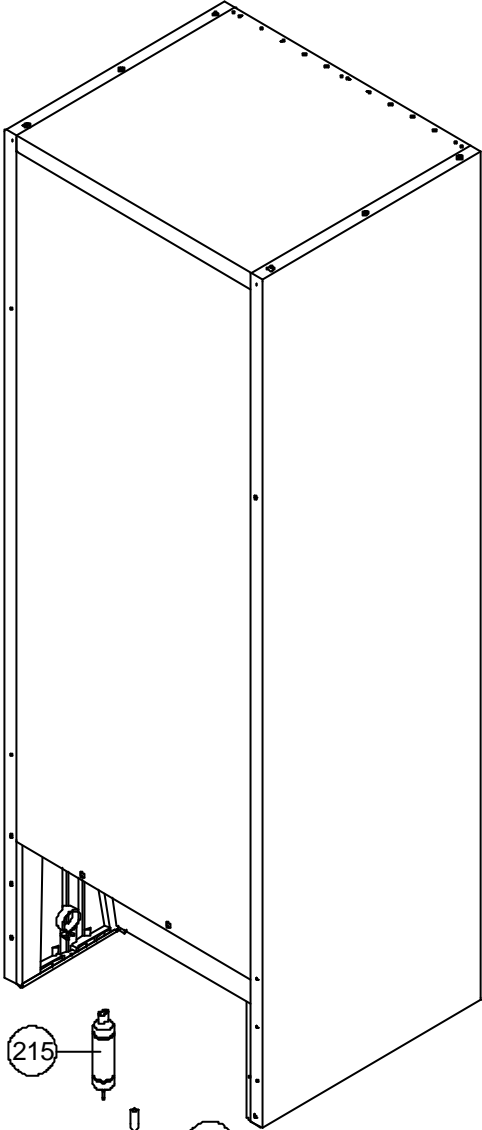
POSITION NUMBER	PART NAME
7	SCREW M5*14 WN 1342-H EJOT
151	BUSHING/345P
152	BUSHING CAP
153	F DOOR ASSY/455V
154	LOGO (OPTIONAL)
155	R DOOR ASSY/455V
156	SHELF COVER/455 (OPTIONAL)
158	EGG SHELF/455
159	EGG HOLDER(I+II)455
171	CATCHER RIGHT
172	SCREW KA 35*12 WN 1412(S.U)EJOT
173	CATCHER LEFT
174	R BOTTOM STOPPER
175	CHEESE/BUTTER SHELF/455
176	BOTTLE HOLDER (OPTIONAL)
177	BOTTLE SHELF/455
178	AROMA BOX COVER (OPTIONAL)
179	AROMA BOX (OPTIONAL)
188	BOTTOM SHELF/455

ABBREVIATIONS :

ASSY : ASSEMBLY
R : REFRIGERATOR
F : FREEZER

VESTEL WHITE GOODS	VESTEL REFRIGERATOR	CUSTOMER SUPPORT
	UNIT PARTS - 1	

WITH FAN MOTOR DESIGN

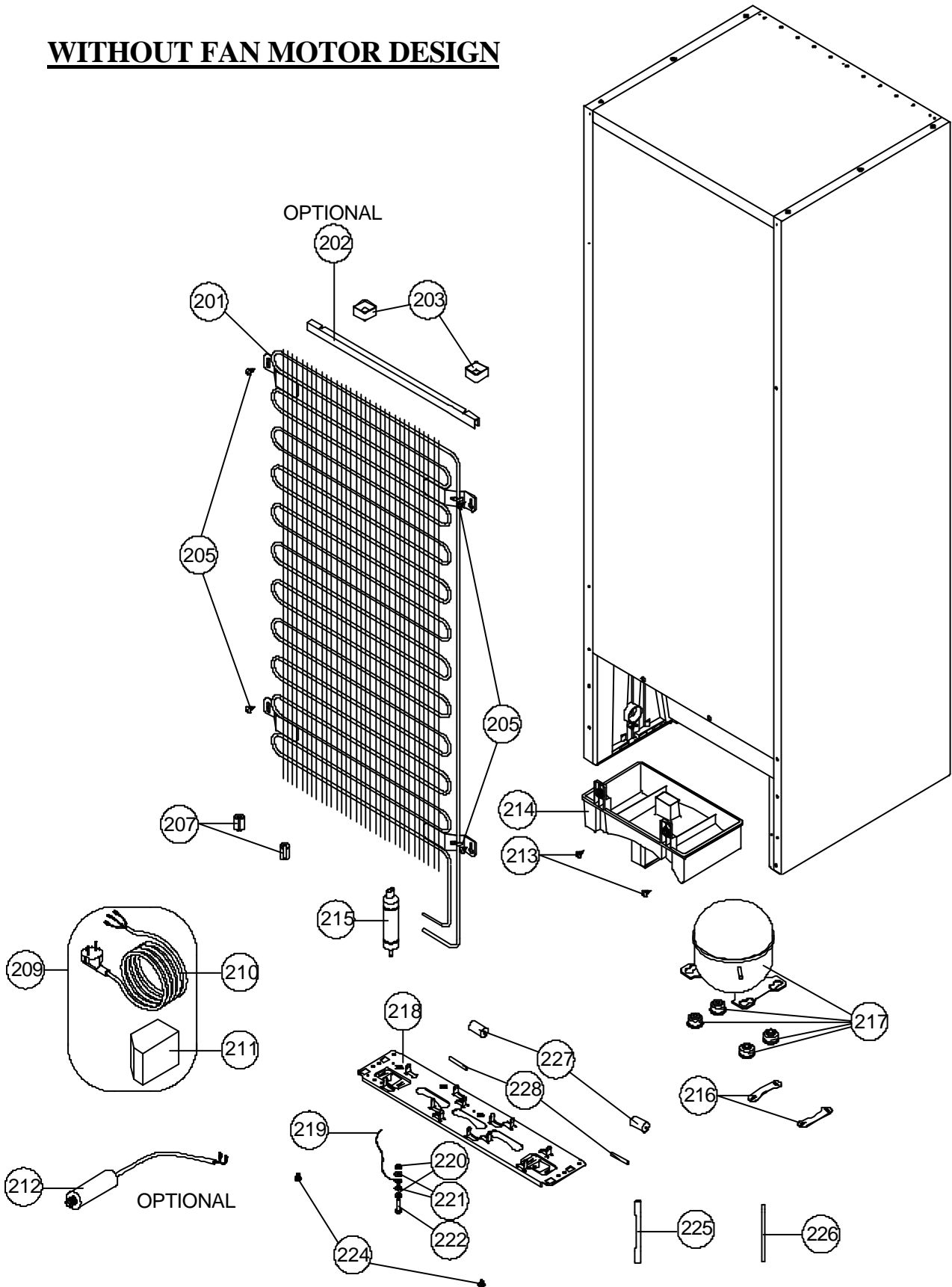


VESTEL WHITE GOODS	VESTEL REFRIGERATOR	CUSTOMER SUPPORT
	UNIT PARTS LIST - 1	

POSITION NUMBER	PART NAME
201	MAIN CONDANSER/455
207	ANTIVIBRATION (CONDENSER)
209	POWER CORD GROUP
210	POWER CORD
211	OVER LOAD RELAY
212	CAPACITOR (OPTIONAL)
214	EVAPORATING TRAY/345
213	SCREW 4.2*9.5 DIN 7981 YSB
215	DRYER (XH9,10GR)
216	COMPR. FIXING BRACKET
217	COMPRESSOR
218	COMPR. BASEMENT/455
219	GROUNDING WIRE
220	NUT M4*3.2 DIN 934 ZNK
221	WASHER 4.3*8*0.9 DIN 6798 ZNK
222	SCREW M4*16 DIN 933 ZNK
224	SCREW KA 50*14 WN 1412 EJOT
225	SERVICE TUBE (90*6*0,7)
226	DRYER VACUUM TUBE
227	WHEEL
228	REAR WHEEL PIN
229	SCREW M4*8 TAPTITE DIN EN ISO 7045
230	FAN MOTOR ASSY/455
231	WIRING HARNESS/FAN MOTOR/455
232	SCREW M4*10 DIN 7985 YSB
233	FAN BRACKET RUBBER
234	FAN MOTOR BRACKET
235	COVER FAN MOTOR
236	UNIT COVER/455

VESTEL WHITE GOODS	VESTEL REFRIGERATOR	CUSTOMER SUPPORT
	UNIT PARTS - 2	

WITHOUT FAN MOTOR DESIGN

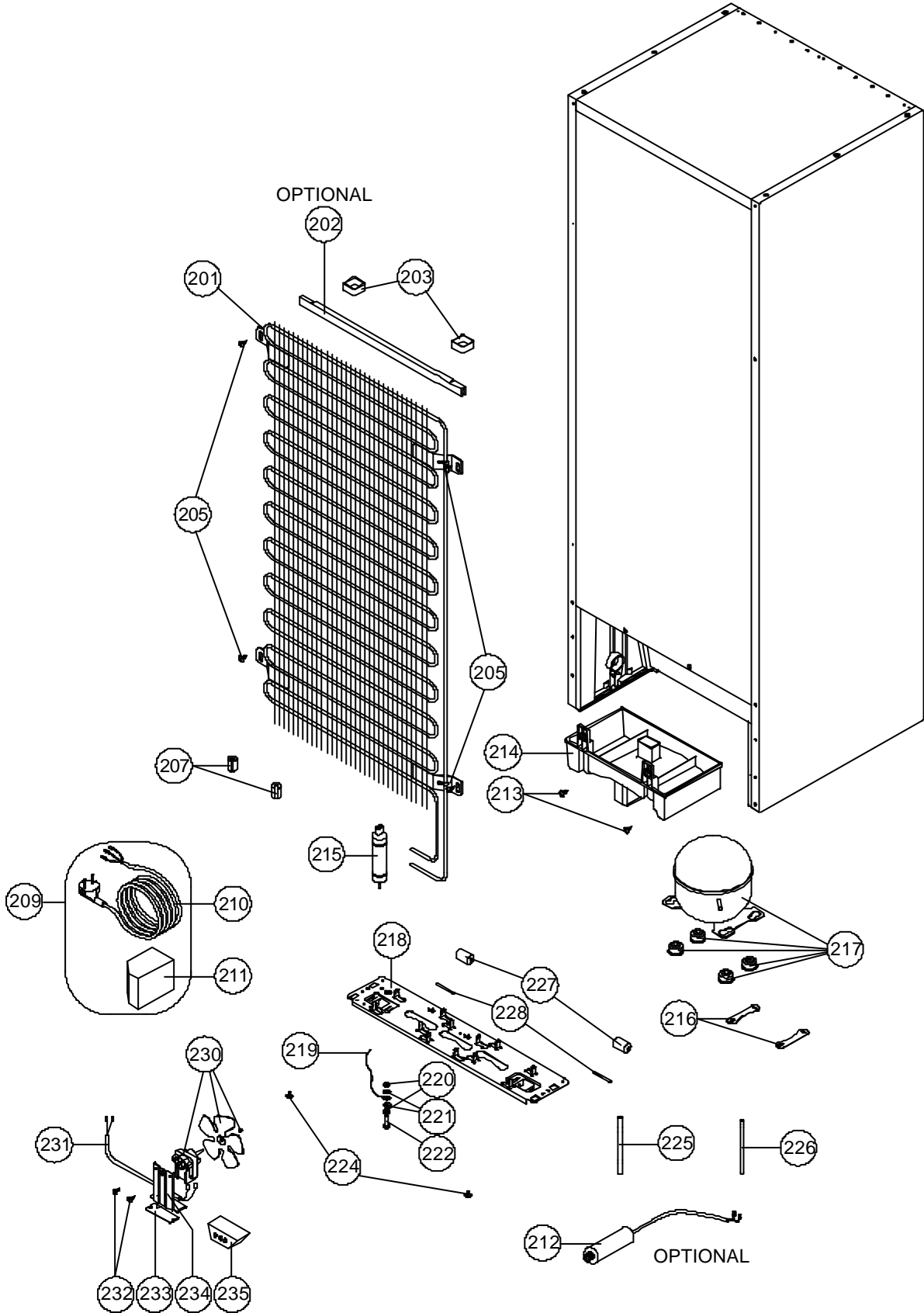


VESTEL WHITE GOODS	VESTEL REFRIGERATOR	CUSTOMER SUPPORT
	UNIT PARTS LIST - 2	

POSITION NUMBER	PART NAME
201	MAIN CONDENSER/425 (D50)
202	CONDENSER TRIM/425 (OPTIONAL)
203	SPACER
205	SCREW 4.8*13 DIN7981 TYSB W.O. WASHER
207	ANTIVIBRATION (CONDENSER)
209	POWER CORD GROUP
210	POWER CORD
211	OVER LOAD RELAY
212	CAPACITOR (OPTIONAL)
213	SCREW 4.2*9.5 DIN 7981 YSB
214	EVAPORATING TRAY/345
215	DRYER (XH9,10GR)
216	COMPR. FIXING BRACKET
217	COMPRESSOR
218	COMPR. BASEMENT/425
219	GROUNDING WIRE
220	NUT M4*3.2 DIN 934 ZNK
221	WASHER 4.3*8*0.9 DIN 6798 ZNK
222	SCREW M4*16 DIN 933 ZNK
224	SCREW KA 50*14 WN 1412 EJOT
225	SERVICE TUBE (90*6*0,7)
226	DRYER VACUUM TUBE
227	WHEEL
228	REAR WHEEL PIN

VESTEL WHITE GOODS	VESTEL REFRIGERATOR	CUSTOMER SUPPORT
	UNIT PARTS - 3	

WITH IRAQ BACK CONDENSER and FAN MOTOR DESIGN



VESTEL WHITE GOODS	VESTEL REFRIGERATOR	CUSTOMER SUPPORT
	UNIT PARTS LIST - 3	

POSITION NUMBER	PART NAME
201	MAIN CONDENSER/455 - IRAQ (D50)
202	CONDENSER TRIM (OPTIONAL)
203	SPACER
205	SCREW 4.8*13 DIN7981 TYSB W.O. WASHER
207	ANTIVIBRATION COND.
209	POWER CORD GR
210	POWER CORD
211	OVER LOAD RELAY
212	CAPACITOR (OPTIONAL)
213	SCREW 4.2*9.5 DIN 7981 YSB
214	EVAPORATING TRAY/345
215	DRYER (XH9,10GR)
216	COMPR. FIXING BRACKET
217	COMPRESSOR
218	COMPR. BASEMENT/455
219	GROUNDING WIRE
220	NUT M4*3.2 DIN 934 ZNK
221	WASHER 4.3*8*0.9 DIN 6798 ZNK
222	SCREW M4*16 DIN 933 ZNK
227	WHEEL
228	REAR WHEEL PIN
224	SCREW KA 50*14 WN 1412 EJOT
225	SERVICE TUBE (90*6*0,7)
226	DRYER VACUUM TUBE
230	FAN MOTOR ASSY/455
231	WIRING HARNESS/FAN MOTOR/455
232	SCREW M4*10 DIN 7985 YSB
233	FAN BRACKET RUBBER
234	FAN MOTOR BRACKET
235	COVER FAN MOTOR