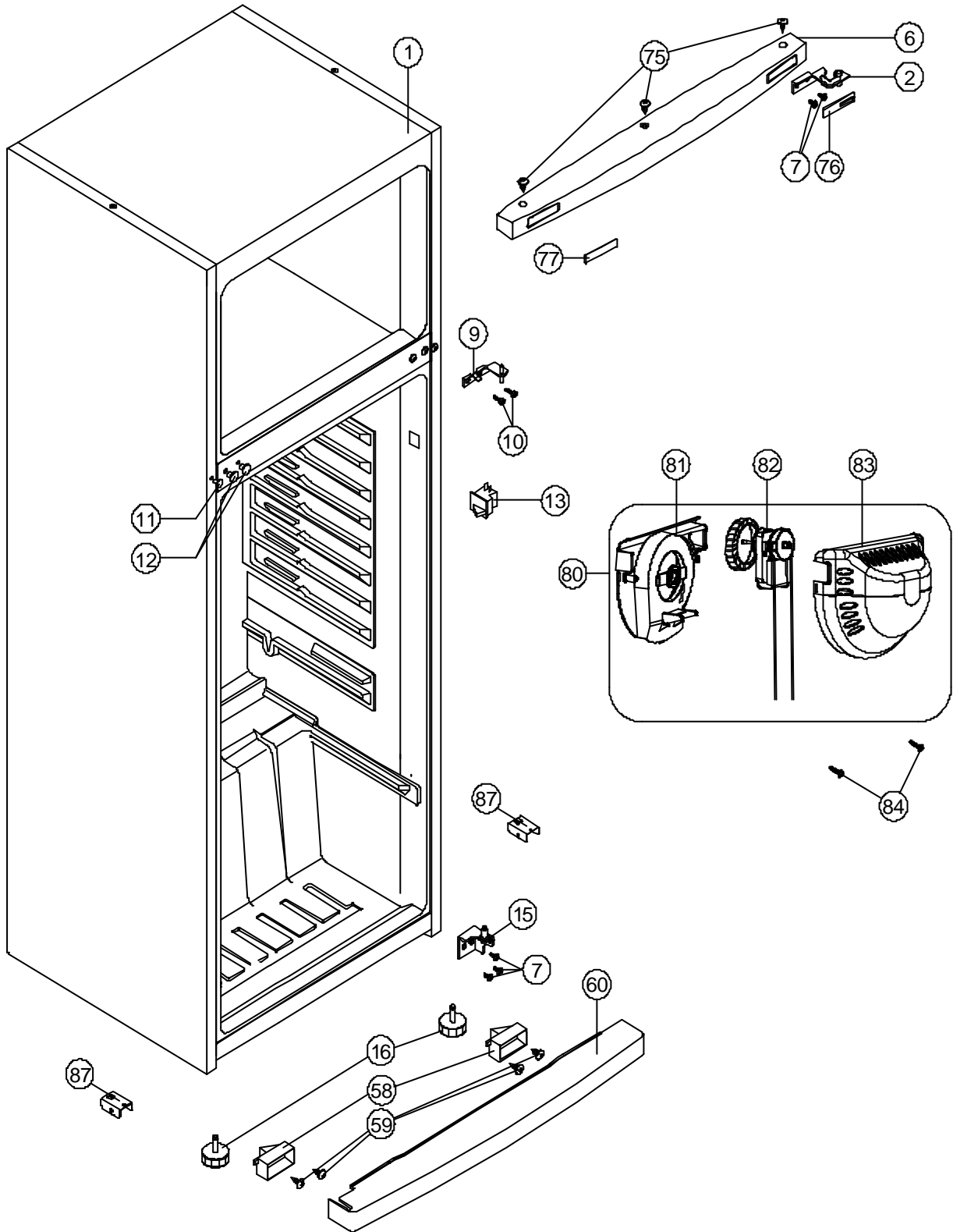


VESTEL WHITE GOODS	VESTEL REFRIGERATOR	CUSTOMER SUPPORT
	INTERIOR PARTS - 1	



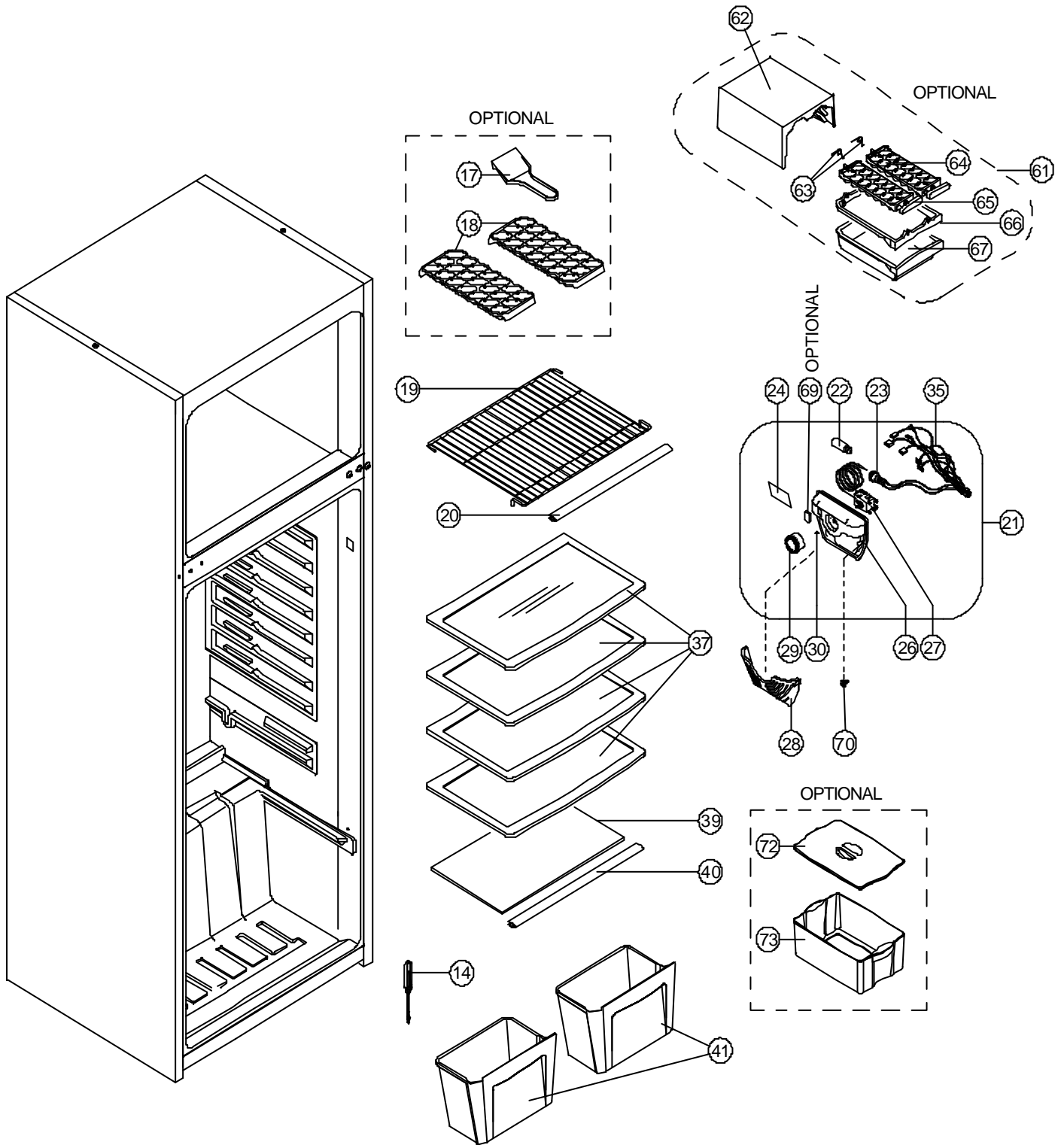
VESTEL WHITE GOODS	VESTEL REFRIGERATOR	CUSTOMER SUPPORT
	INTERIOR PARTS LIST - 1	

POSITION NUMBER	PART NAME
1	ASSY URT CAB/455 (TURBO)
2	TOP HINGE PAINTED/345
6	HEAD PANEL/455
7	SCREW M5*14 WN 1342-H EJOT
9	MIDDLE HINGE PAINTED/345
10	SCREW M5*14 WN 1342-H EJOT DYED
11	MIDDLE HINGE SCREW CAP (SMALL)
12	MIDDLE HINGE SCREW CAP (BIG)
13	DOOR SWITCH
15	BOTTOM HINGE/345
16	STATIONARY FOOT
58	KICK PLATE HOLDER
59	SCREW 3.5*13 DIN 7981 YSB
60	KICK PLATE/455
75	SCREW 4.2*9.5 DIN 7981 YSB DYED
76	HEAD PANEL CAP (RIGHT)
77	HEAD PANEL CAP (LEFT)
80	TURBO FAN CABINET GROUP/345-455
81	TURBO FAN INSIDE BODY/345-455
82	FAN MOTOR ASSY/455(TURBO)1490rpm/220-240
83	TURBO FAN OUTSIDE BODY/345-455
84	SCREW KA 40*32 KUT UÇ INOX
87	FRONT WHEEL GR.

ABBREVIATIONS :

ASSY : ASSEMBLY
URT : URETHANE
CAB : CABINET

VESTEL WHITE GOODS	VESTEL REFRIGERATOR	CUSTOMER SUPPORT
	INTERIOR PARTS - 2	



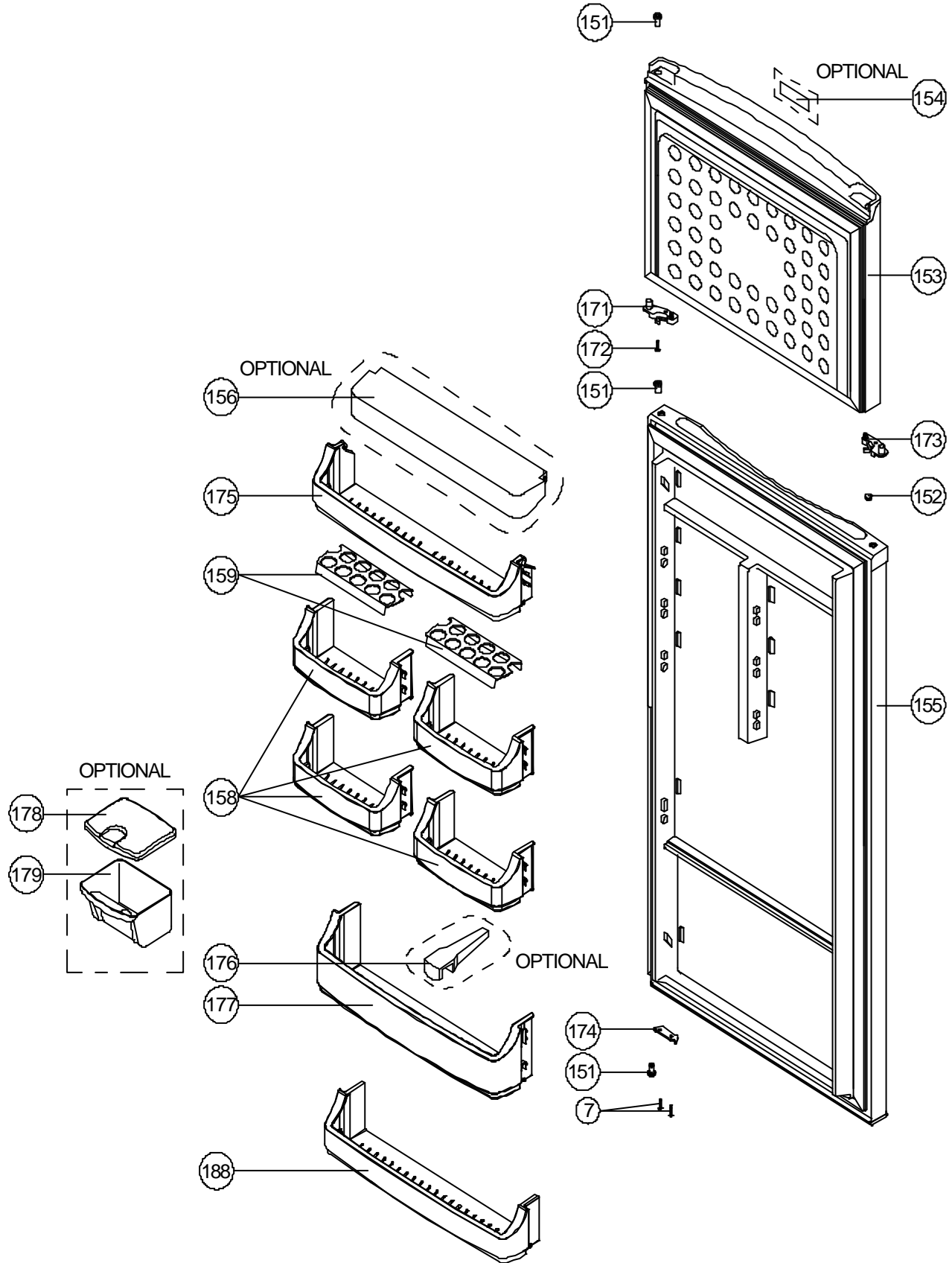
VESTEL WHITE GOODS	VESTEL REFRIGERATOR	CUSTOMER SUPPORT
	INTERIOR PARTS LIST - 2	

POSITION NUMBER	PART NAME
14	TUNNEL DRAIN PLUG
17	ICE SCRAPER <i>(OPTIONAL)</i>
18	ICE TRAY <i>(OPTIONAL)</i>
19	F COMPARTMENT SHELF/455
20	SHELF TRIM F/455
21	THERMOSTAT BOX GR/455
22	LAMP (E14/220-240V/15W)
23	LAMP HOLDER-E14
24	HEAT REFLECTOR FOIL
26	THERMOSTAT BOX/455
27	THERMOSTAT (DNFS077B6575,RC K59L2111)
28	LAMP COVER/455
29	THERMOSTAT KNOB SRGF/455
30	THERMOSTAT KNOB SPRING
35	WIRING HARNESS/THERMOSTAT/455-TURBO
37	R GLASS SHELF/455 (W. WHITE FRAME)
39	CRISPER COVER/455
40	CRISPER COVER TRIM/455
41	CRISPER/455
61	ICEMATIC GR/455 <i>(OPTIONAL)</i>
62	ICE TRAY COVER <i>(OPTIONAL)</i>
63	ICE TRAY SPRING <i>(OPTIONAL)</i>
64	ICE TRAY/RIGHT <i>(OPTIONAL)</i>
65	ICE TRAY/LEFT <i>(OPTIONAL)</i>
66	ICE TRAY HOLDER <i>(OPTIONAL)</i>
67	ICE BOX <i>(OPTIONAL)</i>
69	THERMOSTAT BOX SWITCH <i>(OPTIONAL)</i>
70	SCREW KA 40*14 WN 1411(INOX)EJOT
72	MEAT TRAY COVER <i>(OPTIONAL)</i>
73	MEAT TRAY <i>(OPTIONAL)</i>

ABBREVIATIONS :

R : REFRIGERATOR
F : FREEZER

VESTEL WHITE GOODS	VESTEL REFRIGERATOR	CUSTOMER SUPPORT
	DOOR ASSY. PARTS	



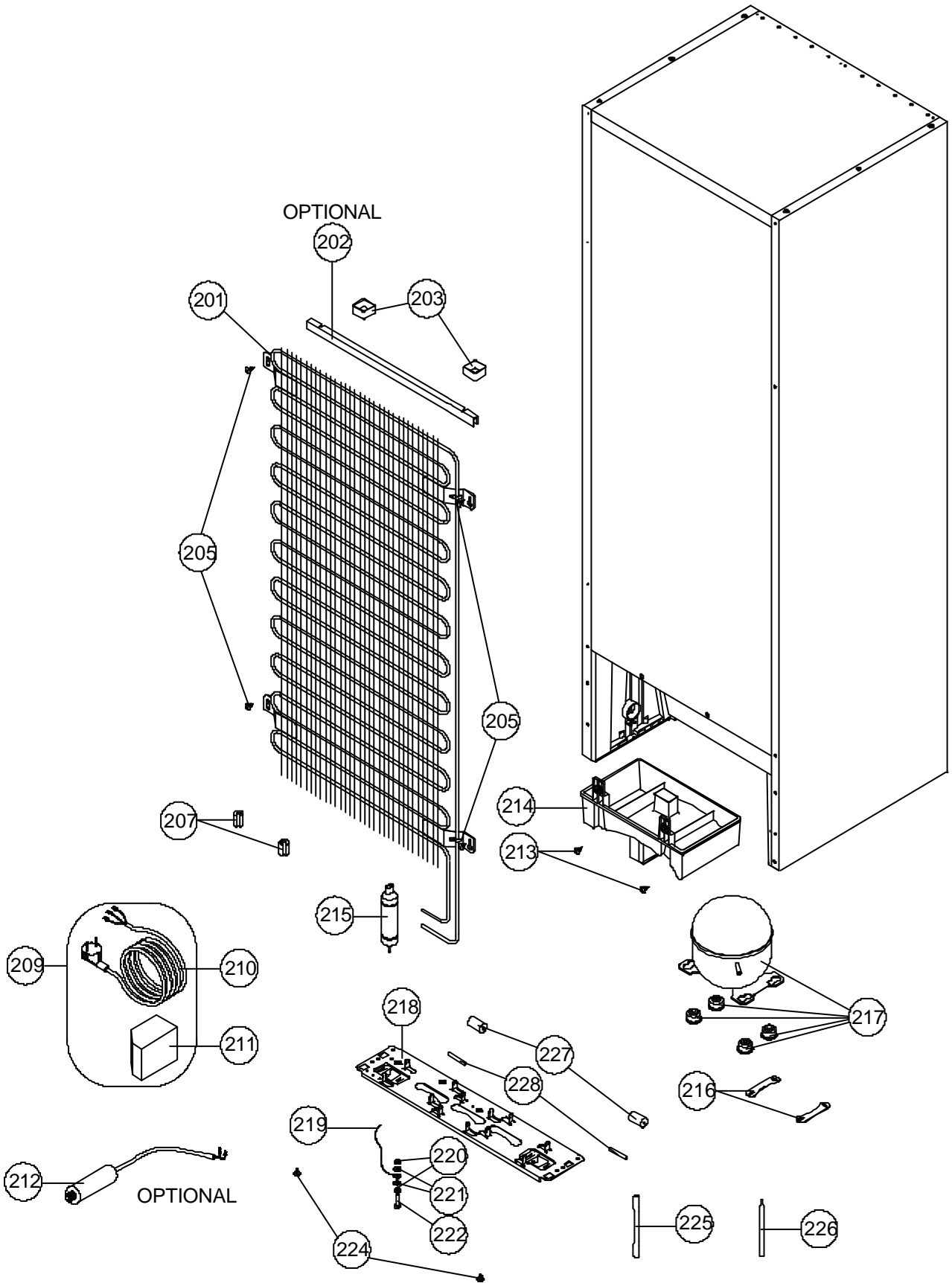
VESTEL WHITE GOODS	VESTEL REFRIGERATOR	CUSTOMER SUPPORT
	DOOR ASSY. PARTS LIST	

POSITION NUMBER	PART NAME
7	SCREW M5*14 WN 1342-H EJOT
151	BUSHING/345P
152	BUSHING CAP
153	F DOOR ASSY/455V
154	LOGO (OPTIONAL)
155	R DOOR ASSY/455V
156	SHELF COVER/455 (OPTIONAL)
158	EGG SHELF/455
159	EGG HOLDER(I+II)455
171	CATCHER RIGHT
172	SCREW KA 35*12 WN 1412(S.U)EJOT
173	CATCHER LEFT
174	R BOTTOM STOPPER
175	CHEESE/BUTTER SHELF/455
176	BOTTLE HOLDER (OPTIONAL)
177	BOTTLE SHELF/455
178	AROMA BOX COVER (OPTIONAL)
179	AROMA BOX (OPTIONAL)
188	BOTTOM SHELF/455

ABBREVIATIONS :

ASSY : ASSEMBLY
R : REFRIGERATOR
F : FREEZER

VESTEL WHITE GOODS	VESTEL REFRIGERATOR	CUSTOMER SUPPORT
	UNIT PARTS	



VESTEL WHITE GOODS	VESTEL REFRIGERATOR	CUSTOMER SUPPORT
	UNIT PARTS LIST	

POSITION NUMBER	PART NAME
201	MAIN CONDENSER/425 (D50)
202	CONDENSER TRIM/425 (OPTIONAL)
203	SPACER
205	SCREW 4.8*13 DIN7981 TYSB W.O. WASHER
207	ANTIVIBRATION (CONDENSER)
209	POWER CORD GROUP
210	POWER CORD
211	OVER LOAD RELAY
212	CAPACITOR (OPTIONAL)
213	SCREW 4.2*9.5 DIN 7981 YSB
214	EVAPORATING TRAY/345
215	DRYER (XH9,10GR)
216	COMPR. FIXING BRACKET
217	COMPRESSOR
218	COMPR. BASEMENT/425
219	GROUNDING WIRE
220	NUT M4*3.2 DIN 934 ZNK
221	WASHER 4.3*8*0.9 DIN 6798 ZNK
222	SCREW M4*16 DIN 933 ZNK
224	SCREW KA 50*14 WN 1412 EJOT
225	SERVICE TUBE (90*6*0,7)
226	DRYER VACUUM TUBE
227	WHEEL
228	REAR WHEEL PIN