

EA1050 Series

30~60Watts Switching Adapter

Features

- Economy Type
- Over voltage protection
- Short circuit protection
- Over current protection
- 100% Burn-In
- MTBF: > 50,000 hours
- 100% Hi-Pot tested
- LED Indication



Electrical Specifications

INPUT

Input range100 to 240 VAC
Frequency47 to 63 Hz
Input current1.2A Max.
Inrush current80.0 Amps maximum
Efficiency80% TYP. At full load, Nominal Line
Hold Up Time8.3 ms Min.
Turn On Time3s. Max.
EMI / EMCFCC part 15J class B, CISPER 22 class B

OUTPUT

Over voltage protectionAuto Recovery
Short circuit protectionAuto Recovery
Leakage Current0.75mA Max.

ENVIRONMENTAL

Operating temperature0 to 40°C
Storage temperature-20 to 85 °C
Storage humidity5 % to 95%

Safety & EMI/EMC

UL 60950, CUL 22.2 No.950, TUV EN60950
 EMI : FCC part 15J class B, CISPER 22 class B
 EMS: EN61000-4-2,-3,-4,-5,-6,-8,-11



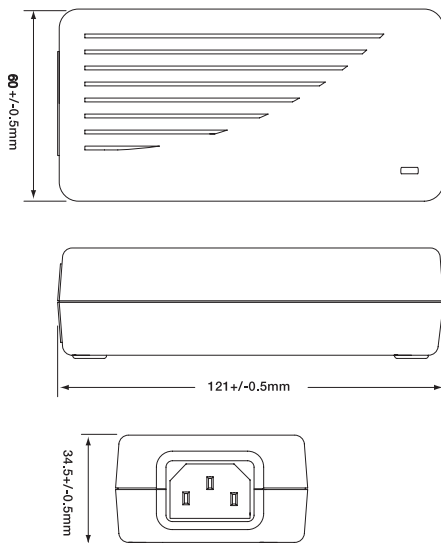
30~60W SWITCHING ADAPTER

MODEL No.	MAX. POWER	OUTPUT VOLTAGE	MIN. LOAD	MAX. LOAD	LOAD REGULATION	LINE REGULATION	RIPPLE & NOISE
EA1050A	60W	12~17	0	5A	+/- 5%	+/- 1%	150mVp-p
EA1050B	60W	18~24	0	3.3A	+/- 5%	+/- 1%	240mVp-p
EA1050C	50W	12~17	0	4.2A	+/- 5%	+/- 1%	150mVp-p
EA1050D	50W	18~24	0	2.8A	+/- 5%	+/- 1%	240mVp-p
EA1050E	42W	12~17	0	3.5A	+/- 5%	+/- 1%	150mVp-p
EA1050F	36W	12~17	0	3A	+/- 5%	+/- 1%	150mVp-p
EA1050G	30W	12~17	0	2.5A	+/- 5%	+/- 1%	150mVp-p

NOTE :

- 1 : Ripple & noise is measured by using 20MHz bandwidth limited oscilloscope and terminated each output with a 0.1uf ceramic capacitor & parallel with 47uF aluminum capacitor at full load and nominal line.
- 2 : Line regulation is defined by changing $\pm 10\%$ of input voltage from nominal line at rated load.

Mechanical Specification



1. Case Size: 121.0x60x34.5(mm)
2. AC Inlet: IEC60320 C14
3. DC Cable & Plug: The standard DC cable is UL1185 18AWG 1200mm with plug 5.5 x 2.1 x 11mm, central positive or refer to the DC plug appendix page.
4. Weight:280g

Order Information

EA1050 Y - vv PP

