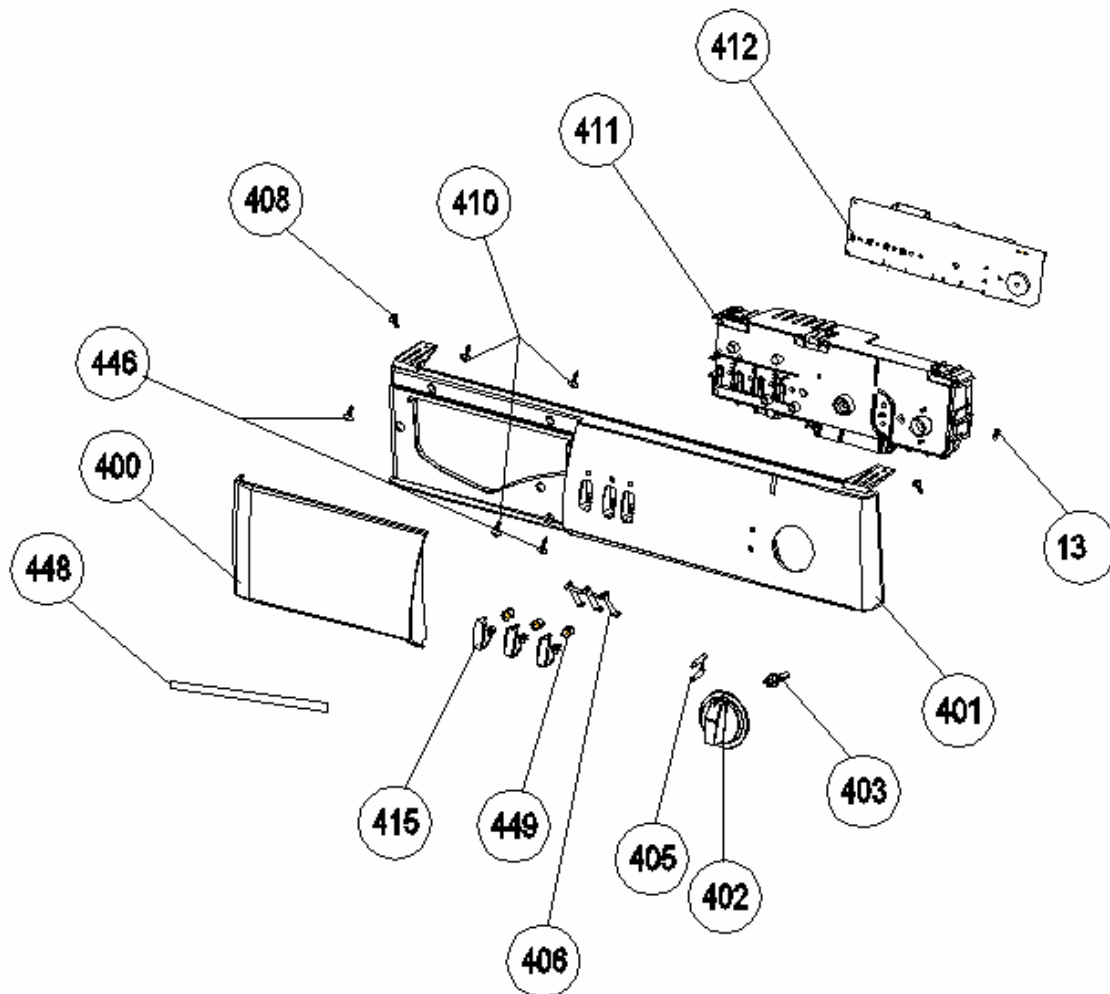


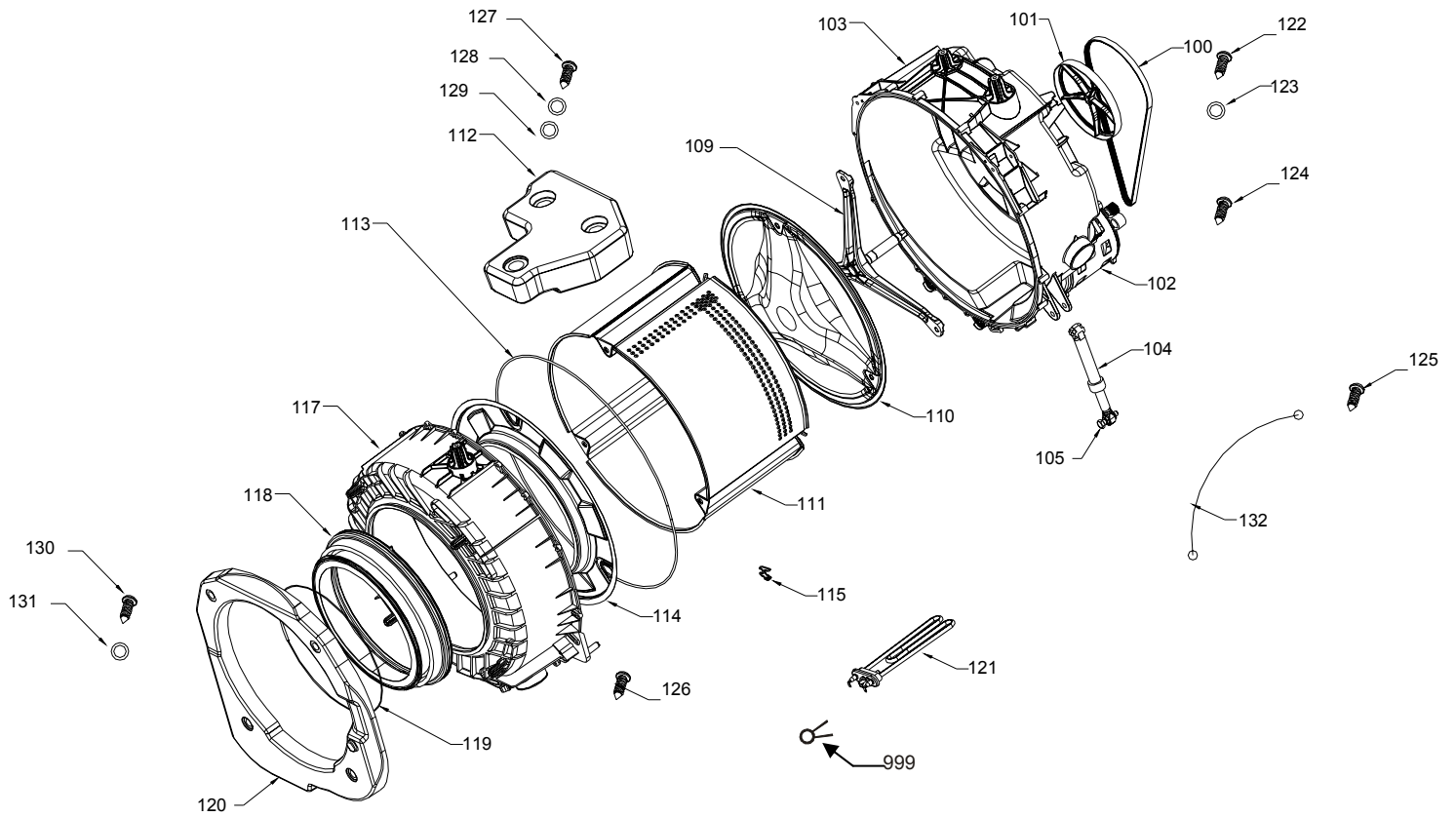
CONTROL PANEL PARTS



NO	PART NAME	QUANTITY
400	DETERGENT DRAWER COVER	1
401	CONTROL PANEL	1
402	PROGRAMME ADJUSDMENT KNOB	1
415	SELECTION BUTTON	3
403	BUTTON SHAFT(PROGRAMME)	1
406	QUARTED LIGHT CARRIER	1
405	DOUBLE LIGHT CARRIER	1
411	MAIN BOARD BOX	1
412	ELECTRONIC CARD(MAIN BOARD)	1
408	SCREW ST 4,2*9,5 TS 432	2
13	SCREW PT 3,5*9	1
410	SCREW PT 4*14	3
446	SCREW ST 4,2*13 TS 432	1
449	BUTTON SPRING	8
448	ISOLATION BAND	1
500	CONTROL PANEL GROUP	1

400-401-402-415-403-406-405-411-13-449-448--- CONTROL PANEL GROUP

WASHING GROUP PARTS

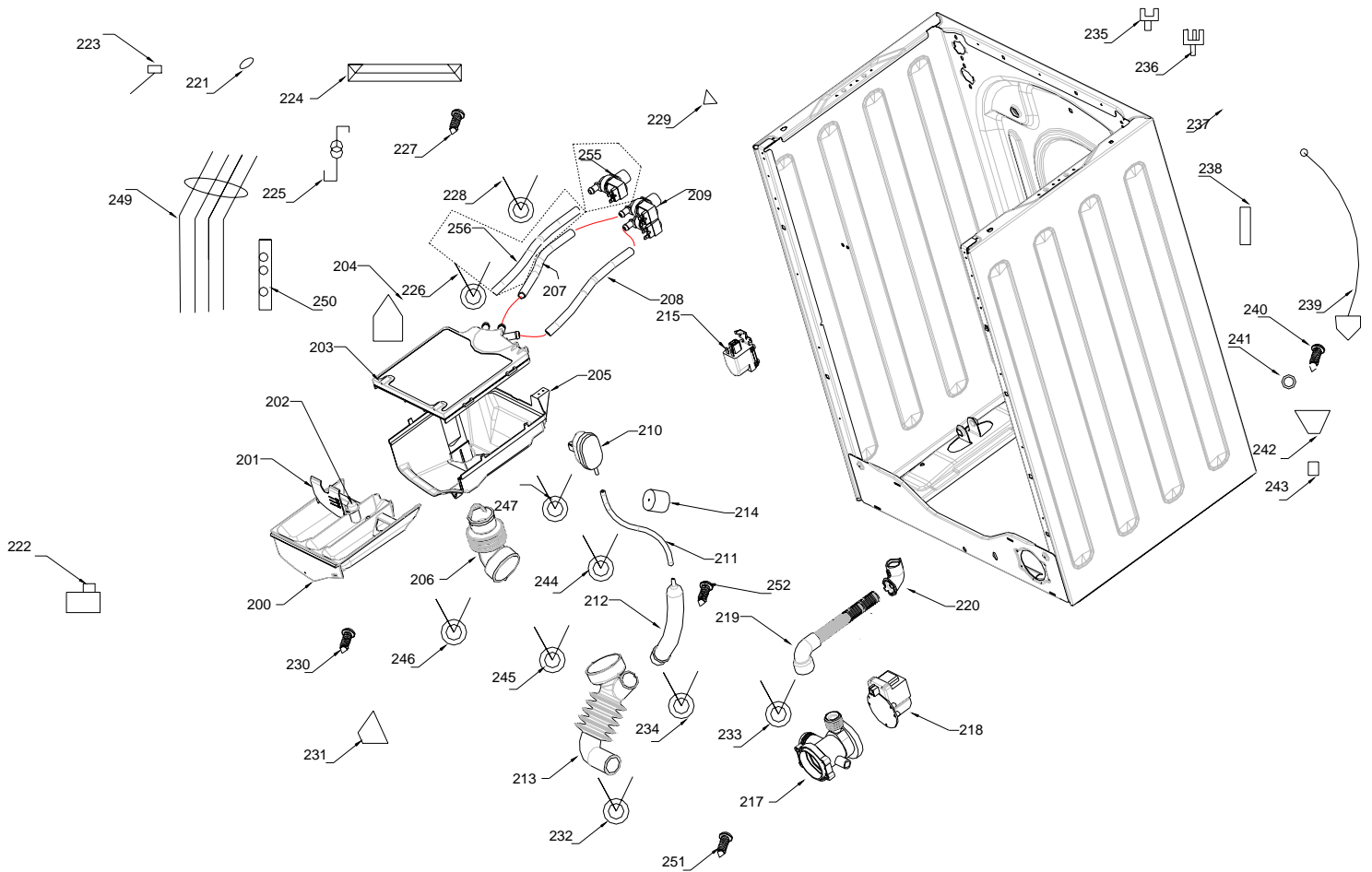


NO	PART NAME	QUANTITY
100	BELT	1
101	DRIVEN PULLEY	1
102	MOTOR	1
103	REAR TUB GROUP	1
104	SHOCK ABSORBER	2
105	SHOCK ABSORBER PIM	2
112	UPPER CONCRETE WEIGHT	1
113	TUB SEAL	1
999	NTC	1
115	RESISTANCE FIXING WIRE	1
117	FRONT TUB	1
118	TUB BELLOWS SEAL	1
119	TUB BELLOW CLIP	1
120	FRONT CONCRETE WEIGHT	1
121	RESISTANCE	1
122	SCREW M8*20 DIN 6921	1
123	WASHER 8,4*28*3	1
124	SCREW PT 8*25 THB	2
125	SCREW M4*15 (TORX HEADED)	1
126	SCREW PT 6*25	17
127	SCREW PT 10*48	3
128	WASHER 10,5*40*3,5	3
129	WASHER PLS Ø45	3
130	SCREW PT 8*40	4
131	WASHER 8,4*28*3	4
132	TUB EARTH CABLE	1
150	UPPER CONCRETE SCREW GROUP	3
160	DRUM GROUP	1

127-128-129--- UPPER CONCRETE SCREW GROUP

109-110-111-114--- DRUM GROUP

BODY GROUP PARTS



NO	PART NAME	QUANTITY
200	DETERGENT DRAWER	1
201	LIQUID DETERGENT LEVEL PLATE	1
202	SIPHON COVER	1
203	WATER DISTRIBUTION PLATE GROUP	1
204	STEAM CONSERVATIVE	1
205	DETERGENT DRAWER HOUSING	1
270	DETERGENT BOX GROUP	1
206	TUB ENTERANCE WITH BELLOH HOSE	1
207	VALVE-DETERGENT BOX HOSE	1
208	VALVE-DETERGENT BOX HOSE	1
209	VALVE	1
275	DETERGENT BOX GROUP/HOSE	1
280	DETERGENT BOX GROUP/FULL	1
210	PRESSURE SWITCH	1
211	PRESSURE HOSE	1
212	PRESSURE SWITCH WATER RESERVOIR	1
213	TUB EXIT WITH BELLOH HOSE	1
214	PRESSURE SWITCH HOSE SPONGE	1
215	PARASITE FILTER	1
285	PUMP GROUP	1
219	DRAIN HOSE	1
220	DRAIN HOSE BODY EXIT PLS	1
221	HANGER SPRING PLS.	2
222	PRESSURE SWITCH CARRIER	1
223	CABLE TIE	5
224	SPRING HANGER SHEETIRON	1
225	HANGER SPRING	2
226	HOSE HANDCUFFS Ø16,4	2
227	SCREW ST 4,2*9,5 TS 432	4
228	HOSE HANDCUFFS Ø15,6	2
229	UPPER TRAY DROP PLASTIC	2
230	SCREW PT 4*14	1

231	FRONT PANEL DROP FIXING PLASTIC	4
232	HOSE HANDCUFFS Ø35,6	1
233	HOSE HANDCUFFS Ø38,8	1
234	HOSE HANDCUFFS Ø32,7	1
235	DRAIN HOSE HOLDING PLS	2
236	DRAIN HOSE AND CABLE HOLDING PLS.	1
237	TRANSPORT SCREW STOPPER	4
238	SPEED CONTROL HOLE STOPPER	1
239	POWER CORD GROUP	1
240	SCREW PT 6*70	4
241	WASHER 6,4*20*2	4
242	TRANSPORT SCREW PLASTIC PART	4
243	TRANSPORT SCREW PLASTIC PART	4
290	TRANSPORT SCREW GROUP	4
244	HOSE HANDCUFFS Ø9,6	1
245	HOSE HANDCUFFS Ø32,7	1
246	HOSE HANDCUFFS Ø64	1
247	HOSE HANDCUFFS Ø9,1	1
248	SCREW ST 4,2*32	1
249	CABLE HARNESS	1
250	CABLE PORTER PLS.	1
251	SCREW ST 4,2*9,5 TS 432	4
252	SCREW PT 4*14	1
253	SCREW ST 4,2*16 TS 432	5
254	SCREW ST 4,8*9,5 TS 432	2
295	PRESSURE SWITCH HOSE GROUP	1
296	CABLE GROUP	1
255	VALVE	1
256	VALVE-DETERGENT BOX HOSE	1

255-256 DOUBLE WATER INLET IN MACHINES

200-202-203-204-205--- DETERGENT BOX GROUP

200-202-203-204-205-207-208--- DETERGENT BOX GROUP/HOSE

200-202-203-204-205-207-208-209--- DETERGENT BOX GROUP/FULL

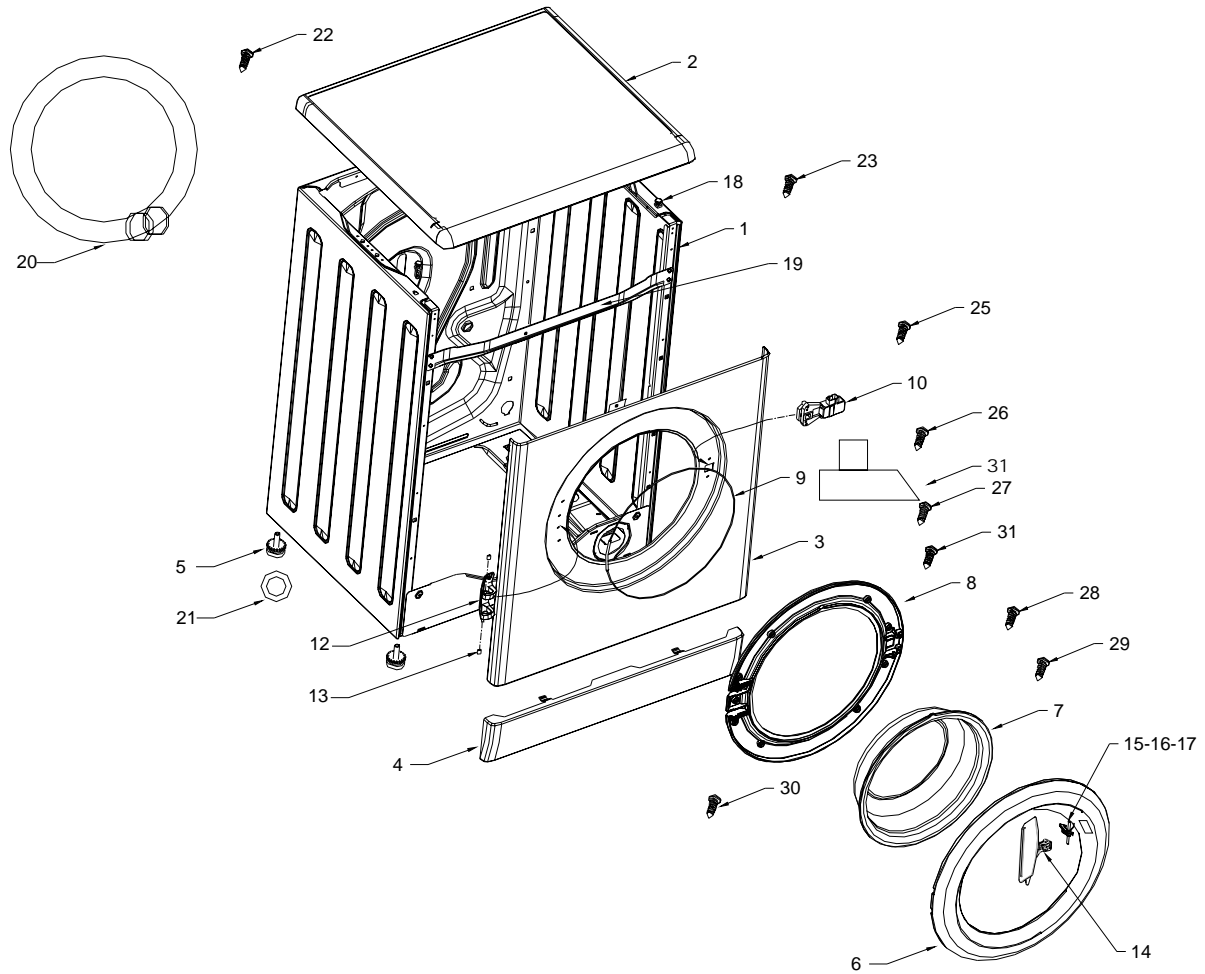
217-218--- PUMP GROUP

240-241-242-243--- TRANSPORT SCREW GROUP

211-212-213-234-244--- PRESSURE SWITCH HOSE GROUP

249-250-210-9-16--- CABLE GROUP

FRONT PANEL PARTS



NO	PART NAME	QUANTITY
1	BODY GROUP PAINTED	1
2	UPPER TRAY GROUP	1
3	FRONT PANEL GROUP PAINTED	1
4	PLASTIC KICKPLATE	1
5	ADJUSTABLE FOOT GROUP	4
6	DOOR OUTSIDE PLASTIC	1
7	DOOR GLASS	1
8	DOOR INSIDE PLASTIC	1
9	HOUSING FRAME BELLOW CLIP	1
10	DOOR LOCK	1
12	HINGE	1
13	HINGE BUSHING	1
14	HANDLE	1
15	HANDLE SPRING	1
16	DOOR HANDLE TONGUE PIM	1
17	DOOR LOCK TONGUE	1
18	UPPER TRAY DROP PLASTIC	2
19	MIDDLE SUPPORT BRACKET GROUP	1
20	WATER ENTRY HOSE GROUP	1
21	ADJUSTED FOOT ADJUST STAMP PLS.	4
22	SCREW ST 5,5*13 TS 432	2
23	SCREW ST 4,2*9,5 TS 432	4
24	SCREW ST 4,2*32	1
25	SCREW ST 4,2*16 TS 432	5
26	SCREW ST 4,2*9,5 TS 432	2
27	SCREW ST 4,8*9,5 TS 432	2
28	SCREW ST 3,5*16	7
29	SCREW PT 3,5*12	2
30	SCREW TT M4*8	2
31	SCREW ST 4,2*9,5 TS 432	2
50	DOOR GROUP	1

8-28-29-7-15-16-17-14-6---- DOOR GROUP