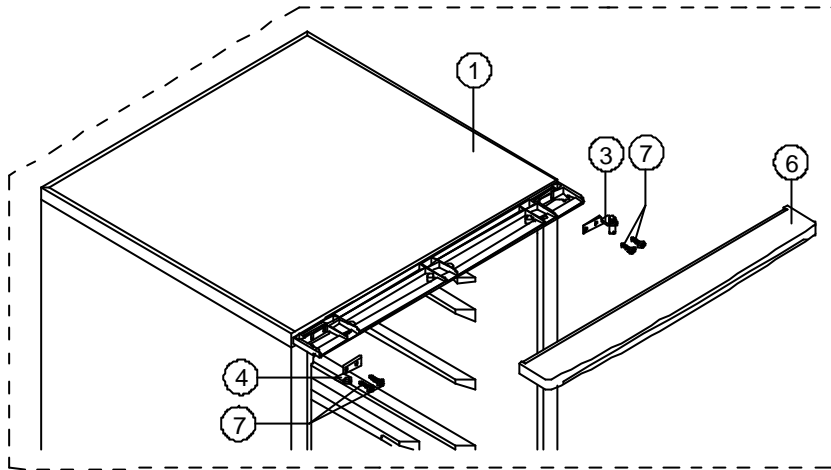
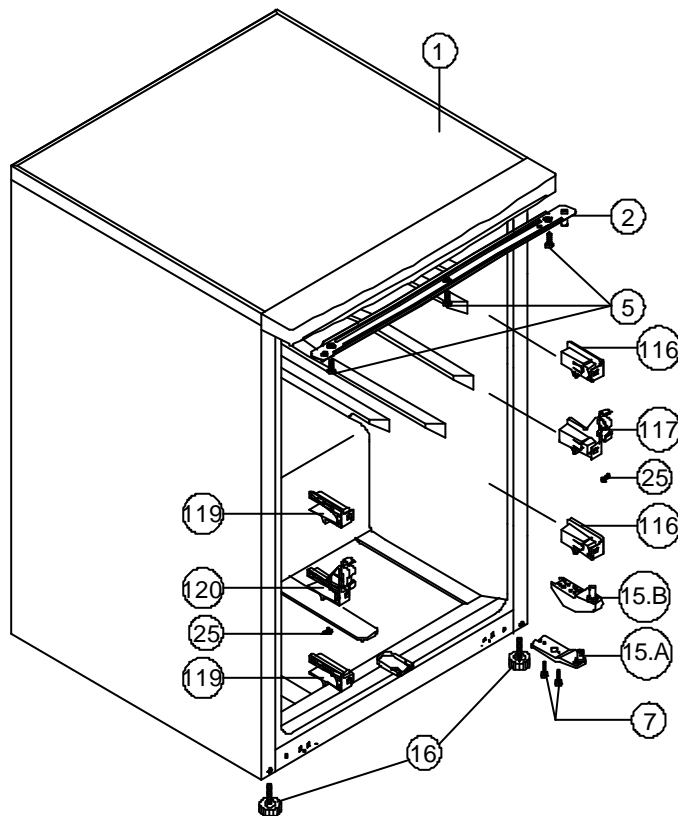


VESTEL WHITE GOODS	VESTEL FREEZER	CUSTOMER SUPPORT
	INTERIOR PARTS	

145 With Clipwood Top Table



145 With Plastic Top Table



Note :

*** Assy Urt Cab./145 With Clipwood Top Table (1) is used for products that are produced before 01.01.2003

*** Assy Urt Cab./145 With Plastic Top Table (1) is used for products that are produced after 01.01.2003

*** Bottom Hinge/140 (15.A) is used for products that are produced before 19.01.2004

*** Bottom Hinge/110 (15.B) is used for products that are produced after 19.01.2004

*** Two Stationary Foot (16) is used for Bottom Hinge/140 (15.A)

*** One Stationary Foot (16) is used for Bottom Hinge/110 (15.B)

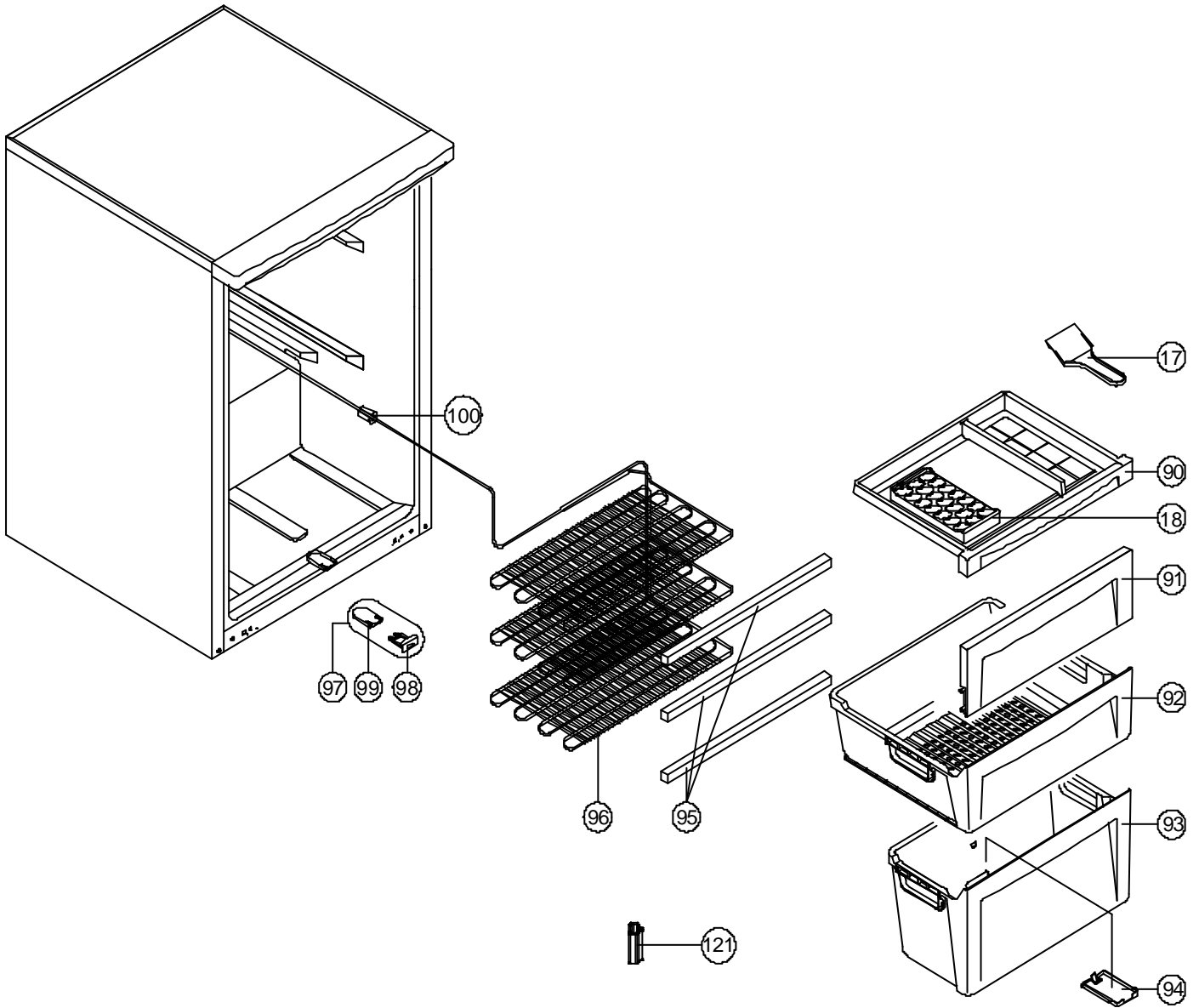
VESTEL WHITE GOODS	VESTEL FREEZER	CUSTOMER SUPPORT
	INTERIOR PARTS LIST	

POSITION NUMBER	PART NAME
1	ASSY URT CAB/145
1	ASSY URT CAB/145
2	TOP HINGE/140
3	TOP HINGE/140 (RIGHT)
4	TOP HINGE/140 (LEFT)
5	SCREW KA 40*8 WN 1412 EJOT
6	HEAD PANEL
7	SCREW M5*14 WN 1342-H EJOT
15	BOTTOM HINGE/140
15	BOTTOM HINGE/110
16	STATIONARY FOOT
25	SCREW PLS KA 40*13(INOX-S.UÇ)SUS 430
116	F EVAP SUPPORT R/360
117	F COVER SUPPORT R/360
119	F EVAP SUPPORT L/360
120	F COVER SUPPORT L/360

ABBREVIATIONS :

ASSY : ASSEMBLY
URT : URETHANE
CAB : CABINET
F : FREEZER
R . RIGHT
L : LEFT

VESTEL WHITE GOODS	VESTEL FREEZER	CUSTOMER SUPPORT
	ACCESSORY PARTS	



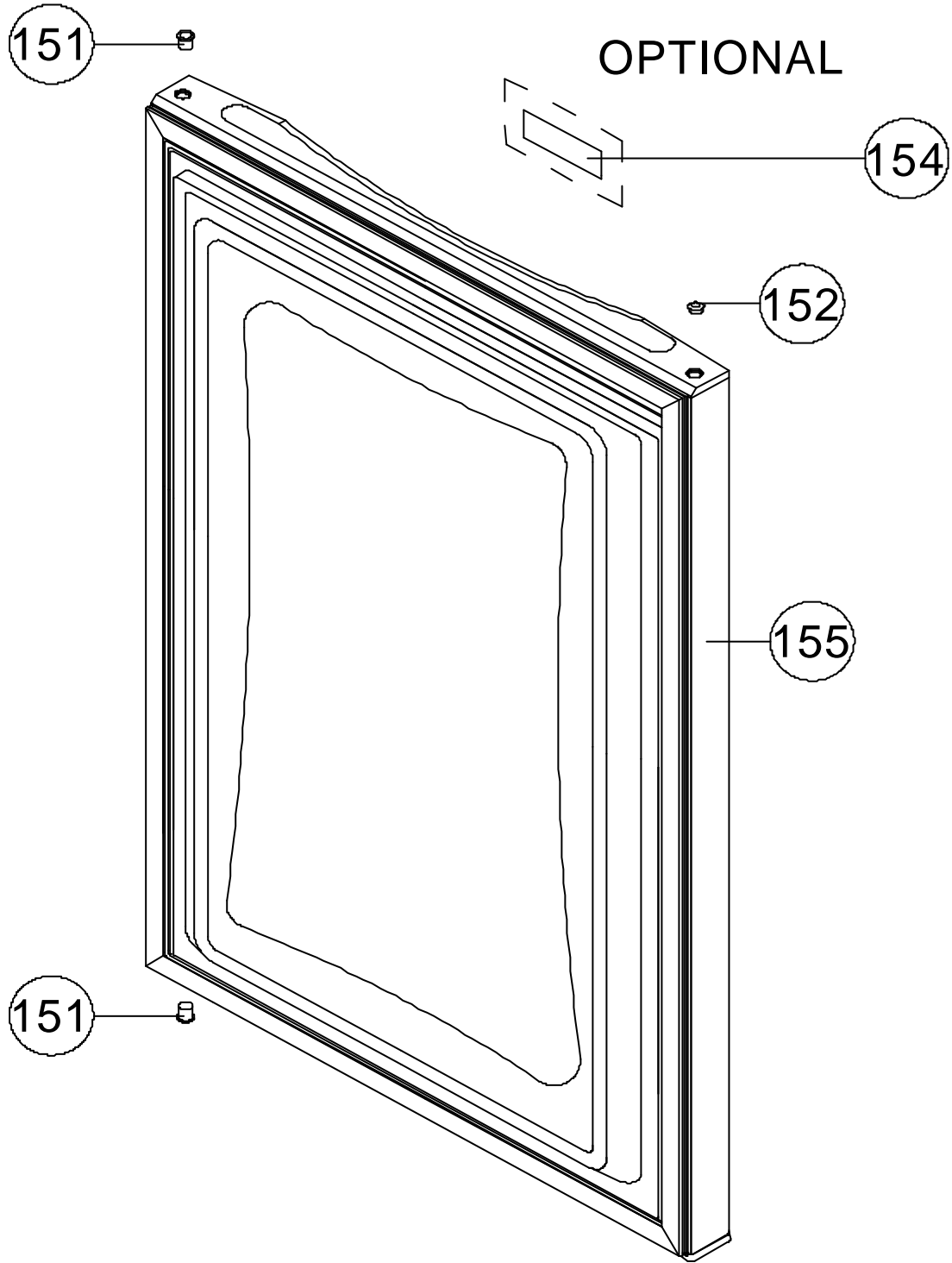
VESTEL WHITE GOODS	VESTEL FREEZER	CUSTOMER SUPPORT
	ACCESSORY PARTS LIST	

POSITION NUMBER	PART NAME
17	ICE SCRAPER <i>(OPTIONAL)</i>
18	ICE TRAY <i>(OPTIONAL)</i>
90	GRIP TRAY ICE/145
91	F COVER/145
92	MIDDLE BASKET/145
93	BOTTOM BASKET/145
94	BASKET F DRAIN/360
95	F EVAP TRIM/145
96	F EVAPORATOR ASSY/145
97	F DRAIN GR/360
98	F DRAIN/360
99	F DRAIN HOLDER/360
100	ANTIVIBRATION (HEAD EXCHANGER)
121	THERMO CAPI BRACKET/360

ABBREVIATIONS :

F : FREEZER

VESTEL WHITE GOODS	VESTEL FREEZER	CUSTOMER SUPPORT
	DOOR ASSY. PARTS	



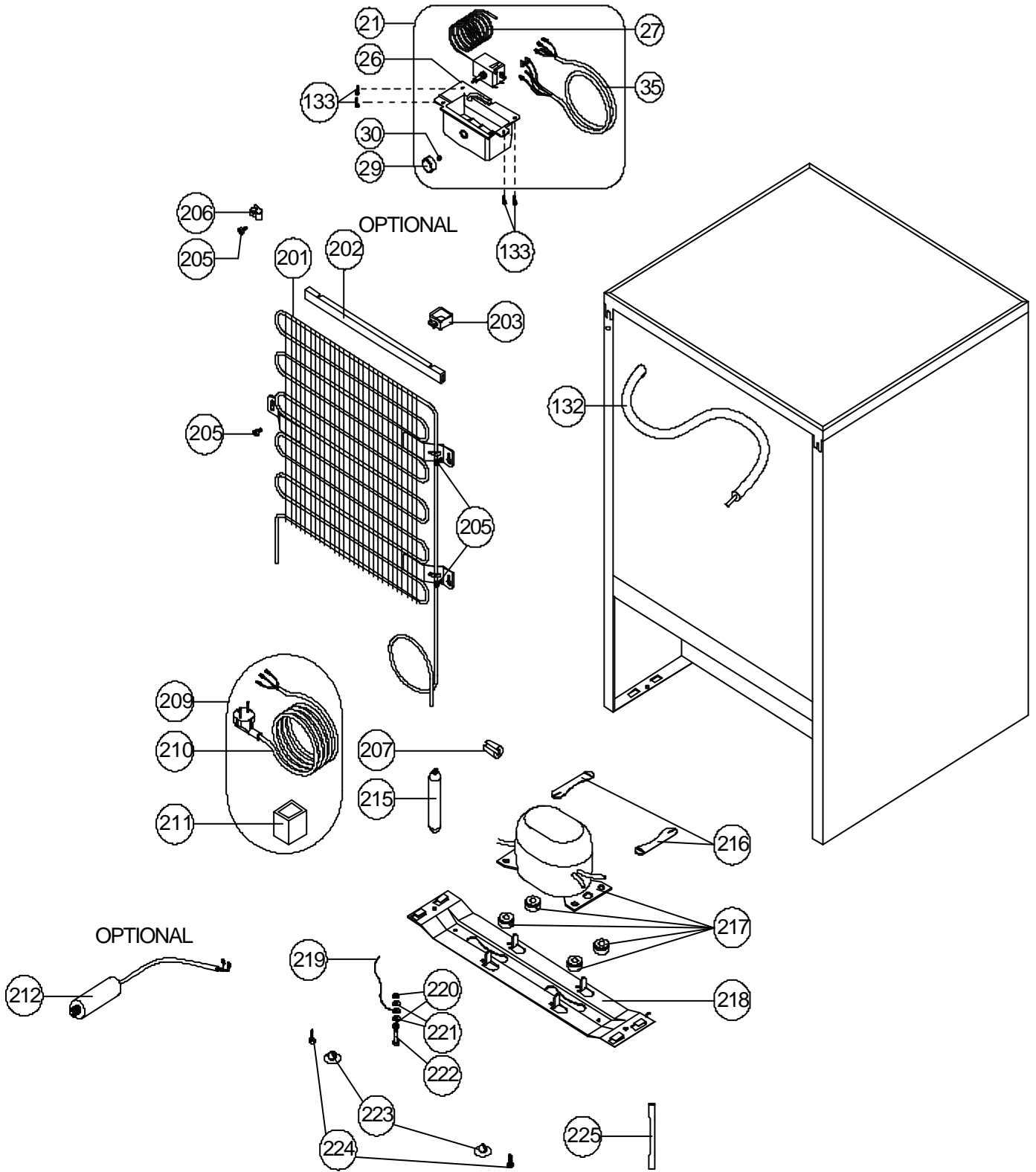
VESTEL WHITE GOODS	VESTEL FREEZER	CUSTOMER SUPPORT
	DOOR ASSY. PARTS LIST	

POSITION NUMBER	PART NAME
151	BUSHING/345P
152	BUSHING CAP
154	LOGO (<i>OPTIONAL</i>)
155	DOOR ASSY/145V

ABBREVIATIONS :

ASSY : ASSEMBLY

VESTEL WHITE GOODS	VESTEL FREEZER	CUSTOMER SUPPORT
	UNIT PARTS	



VESTEL WHITE GOODS	VESTEL FREEZER	CUSTOMER SUPPORT
	UNIT PARTS LIST	

POSITION NUMBER	PART NAME
21	THERMOSTAT BOX ASSY/145
26	THERMOSTAT BOX/145
27	THERMOSTAT (DNFS077B2339,K54-L2075000) 145
29	THERMOSTAT KNOB SRGF/145
30	THERMOSTAT KNOB SPRING
35	WIRING HARNESS/THERMOSTAT/145
132	COVER TUBE (25*13*900) 145
133	SCREW 4.2*13 DIN 7981 YSB
201	MAIN CONDENSER/145
202	CONDENSER TRIM/140 (OPTIONAL)
203	SPACER
205	SCREW 4.8*13 DIN7981 TYSB W.O. WASHER
206	CABLE HOLDER/140
207	ANTIVIBRATION (CONDANSER)
209	POWER CORD GROUP
210	POWER CORD
211	OVER LOAD RELAY
212	CAPACITOR (OPTIONAL)
215	DRYER (XH9,7.5GR) SERVICE
216	COMP FIXING BRACKET
217	COMPRESSOR
218	COMP BASEMENT/140
219	GROUNDING WIRE
220	NUT M4*3.2 DIN 934 ZNK
221	WASHER 4.3*8*0.9 DIN 6798 ZNK
222	SCREW M4*16 DIN 933 ZNK
223	FOOT
224	SCREW KA 50*14 WN 1412 EJOT
225	SERVICE TUBE (120*6*0,75)