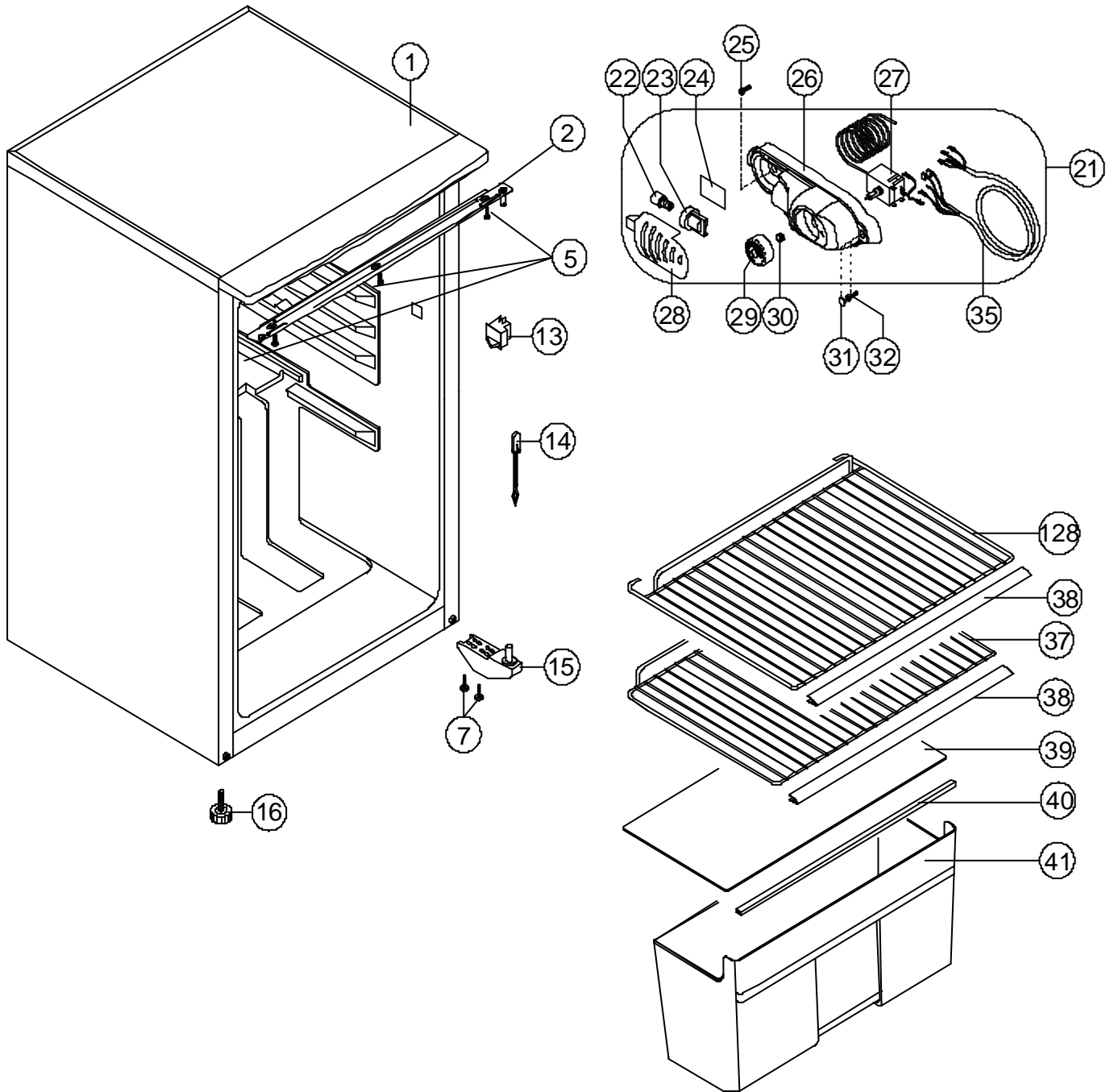


<b>VESTEL</b> WHITE GOODS	<b>VESTEL REFRIGERATOR</b>	<b>CUSTOMER SUPPORT</b>
	<b>INTERIOR PARTS</b>	



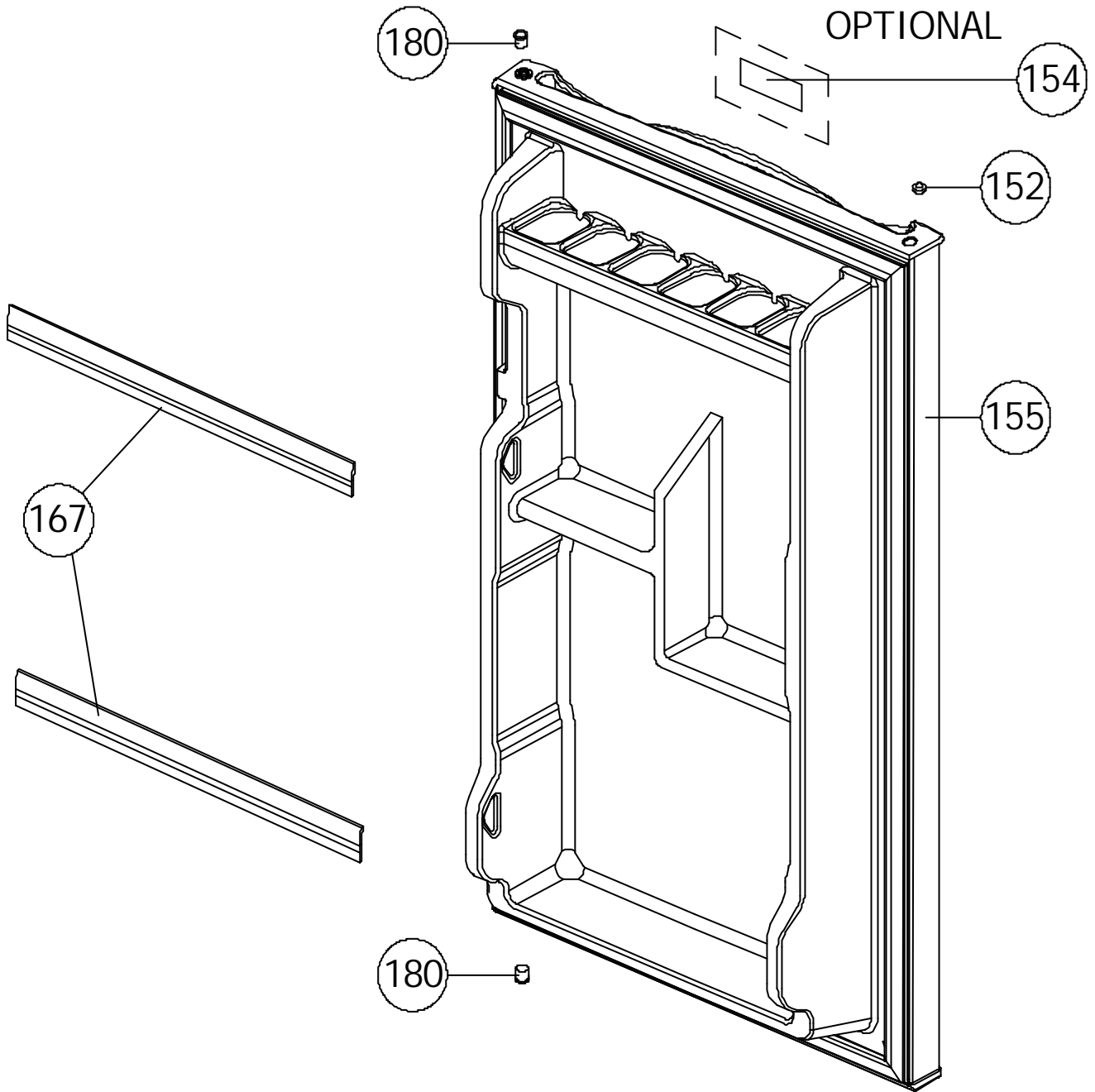
<b>VESTEL WHITE GOODS</b>	<b>VESTEL REFRIGERATOR</b>	<b>CUSTOMER SUPPORT</b>
	<b>INTERIOR PARTS LIST</b>	

POSITION NUMBER	PART NAME
1	ASSY URT CAB/120
2	TOP HINGE/110
5	SCREW KA 40*8 WN 1412 EJOT
7	SCREW M5*14 WN 1342-H EJOT
13	DOOR SWITCH
14	TUNNEL DRAIN PLUG
15	BOTTOM HINGE/110
16	STATIONARY FOOT
21	THERMOSTAT BOX ASSY/110
22	LAMP (E14/220-240V/15W)
23	LAMP HOLDER-E14
24	HEAT REFLECTOR FOIL/140
25	SCREW PLS KA 40*13(INOX-S.UÇ)SUS 430
26	THERMOSTAT BOX/110
27	THERMOSTAT
28	LAMP COVER/110
29	THERMOSTAT KNOB SRGF/260 (NUMBER)
30	THERMOSTAT KNOB SPRING
31	THERMOSTAT BOX SCREW CAP/140
32	SCREW KA 40*18 WN 1411(INOX-SIV.UÇ)EJOT
35	WIRING HARNESS/THERMOSTAT/150 (W.SWITCH)
37	R COMPARTMENT SHELF/110
38	R COMPARTMENT SHELF TRIM/110
39	CRISPER COVER/110
40	CRISPER COVER TRIM/110
41	CRISPER/110
128	R COMPARTMENT SHELF/120

**ABBREVIATIONS :**

ASSY : ASSEMBLY  
URT : URETHANE  
R : REFRIGERATOR

<b>VESTEL</b> WHITE GOODS	<b>VESTEL REFRIGERATOR</b>	<b>CUSTOMER SUPPORT</b>
	<b>DOOR ASSY. PARTS</b>	



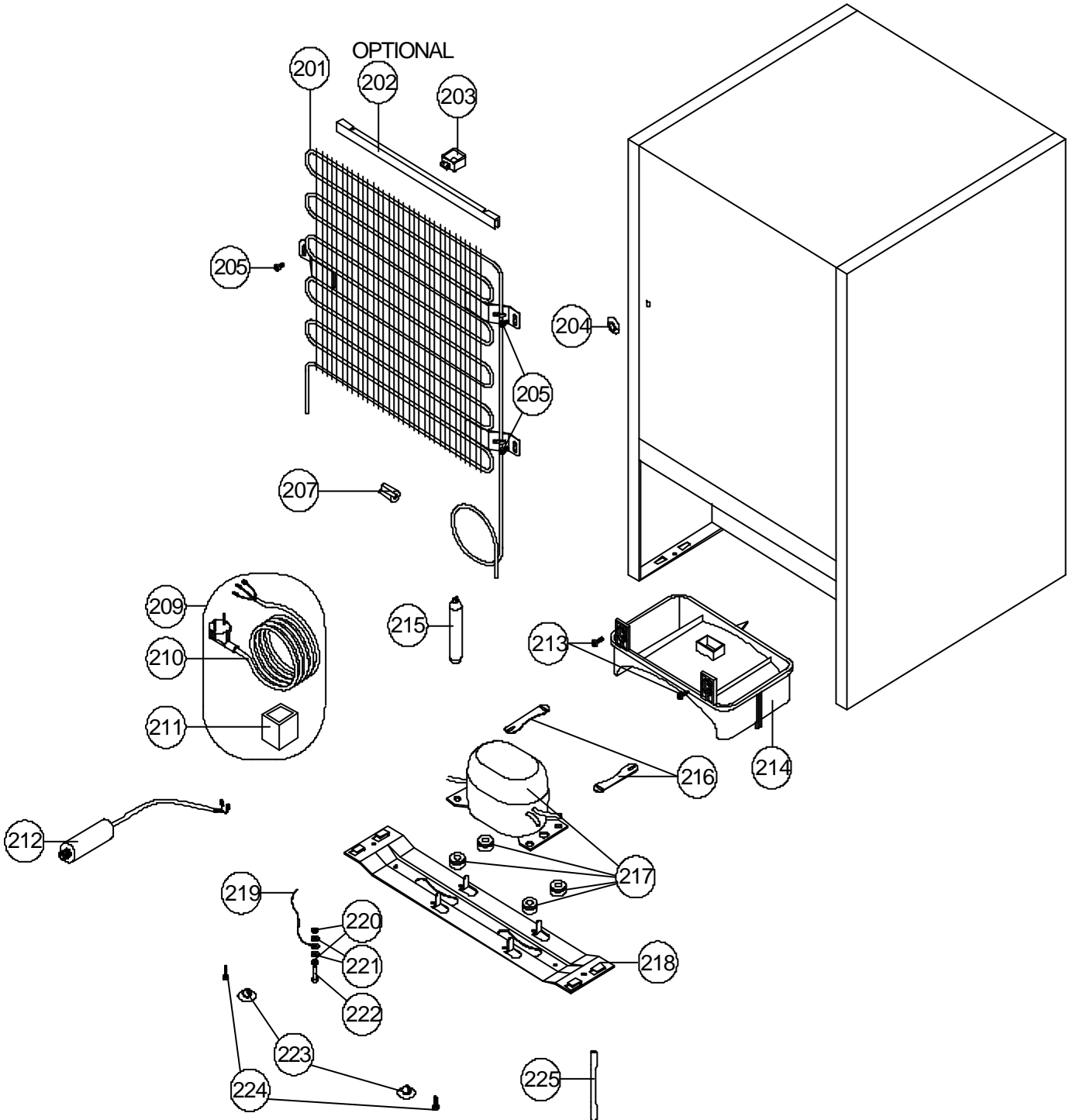
<b>VESTEL</b> WHITE GOODS	<b>VESTEL REFRIGERATOR</b>	<b>CUSTOMER SUPPORT</b>
	<b>DOOR ASSY. PARTS LIST</b>	

POSITION NUMBER	PART NAME
152	BUSHING CAP
154	LOGO <i>(OPTIONAL)</i>
155	DOOR ASSY/110C
167	DOOR LINER TRIM/110
180	BUSHING/345S

**ABBREVIATIONS :**

ASSY : ASSEMBLY

<b>VESTEL</b> WHITE GOODS	<b>VESTEL REFRIGERATOR</b>	<b>CUSTOMER</b> <b>SUPPORT</b>
	<b>UNIT PARTS</b>	



<b>VESTEL WHITE GOODS</b>	<b>VESTEL REFRIGERATOR</b>	<b>CUSTOMER SUPPORT</b>
	<b>UNIT PARTS LIST</b>	

POSITION NUMBER	PART NAME
201	MAIN CONDENSER/110
202	CONDENSER TRIM/110 (OPTIONAL)
203	SPACER
204	PLUG,CABLE HARNESS
205	SCREW 4.8*13 DIN7981 TYSB W.O. WASHER
207	ANTIVIBRATION (CONDENSER)
209	POWER CORD GROUP
210	POWER CORD
211	OVER LOAD RELAY
212	CAPACITOR (OPTIONAL)
213	SCREW 4.2*9.5 DIN 7981 YSB
214	EVAPORATING TRAY/260
215	DRYER (XH9,7.5GR) SERVICE
216	COMP. FIXING BRACKET
217	COMPRESSOR
218	COMP. BASEMENT/110
219	GROUNDING WIRE
220	NUT M4*3.2 DIN 934 ZNK
221	WASHER 4.3*8*0.9 DIN 6798 ZNK
222	SCREW M4*16 DIN 933 ZNK
223	FOOT
224	SCREW KA 50*14 WN 1412 EJOT
225	SERVICE TUBE (120*6*0,75)